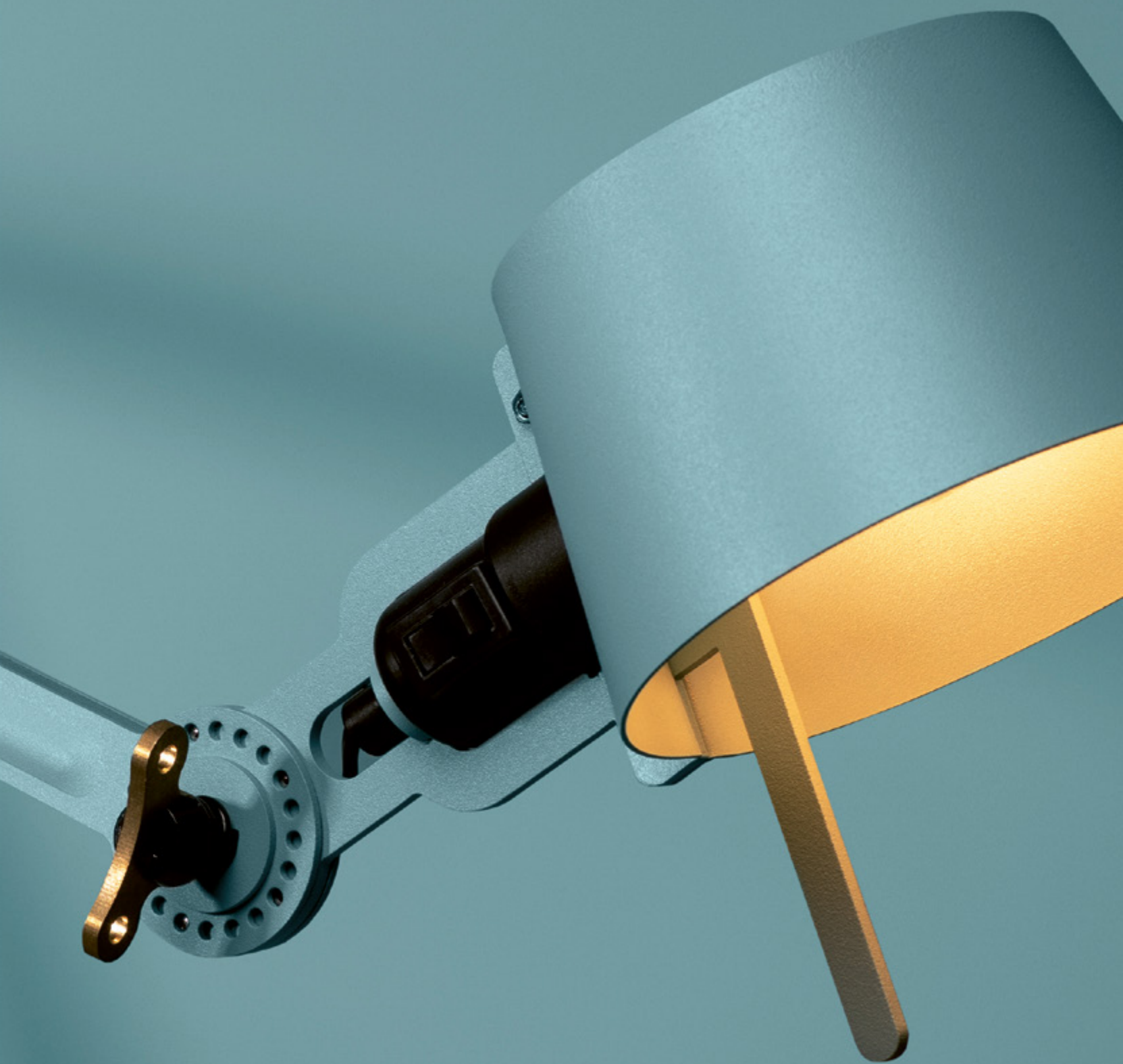
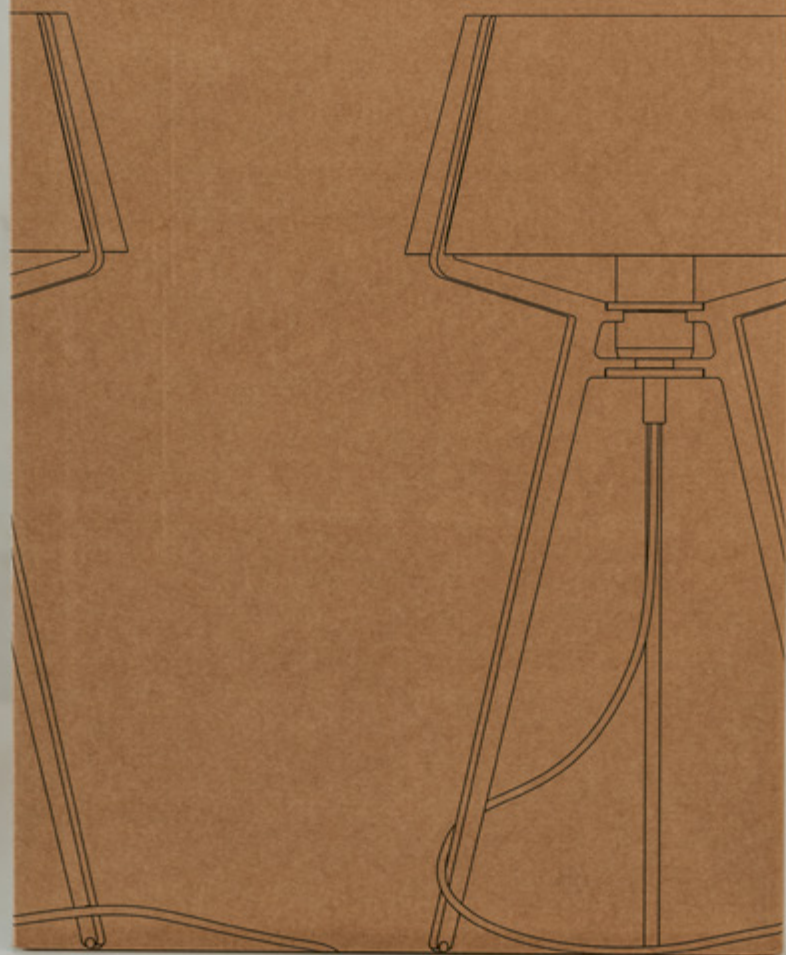


TONONE



TONONE

TONONE



"Hereby we proudly present our brand-new catalogue. During the pandemic we kept going. We've added new product lines, such as the ONE. This luminous, magnetic little powerhouse is something special. We cannot wait for you to get to know this little pal. And then there's Bella, our three-legged elegant beauty. Furthermore, Ice Blue was added to the Tonone color palette, a color you will never stop looking at as it looks different every time. We have updated the photos to make our lamps shine brighter than ever before. Get ready for some sparkly eyes!

2023 is a celebratory year for us as we will be celebrating our ten-year anniversary. After ten years we're still based in the Netherlands and working together with local craftsmen. Today the design team's vision is still committed to apply traditional craft tools and mechanics in innovative light design. Looking back at the past ten years we're thrilled to see our lamps travel all over the world to their new enthusiastic owners."

With love,


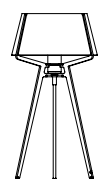
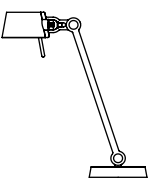



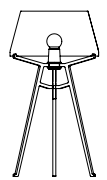
A handwritten signature in black ink that reads "Anton". The signature is written in a cursive, flowing style.



Anton de Groof



TABLE OF CONTENTS

ONE		9
BELLA		23
BOLT		31
BEADS		59
MR. TUBES LED		77
ATLAS		91
ELLA		97
SPECIFICATIONS		103



ONE



The portable and rechargeable design lamp is a true all-rounder. You can take the lamp anywhere you want and it fits in every room of your house. Thanks to its magnetic attachment, you're able to snap the ONE on its fixture with just one simple movement. With its fully charged built-in battery, it lights up your life up to 30 hours. The ONE is easy to charge with the included cable. The ONE is available in 3 colors. Combine the ONE with one of the fixtures and make a floor, desk, ceiling or wall lamp.



ONE

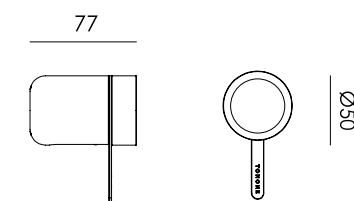
Design by Anton de Groof 2022

Material Aluminum & steel
Description The lamp is made out of powder coated aluminum and steel. The ONE is portable and has a built-in battery. The magnetic attachment allows you to snap ONE onto different fixtures. Charging cable included.
Volt 220-240 V | Max 2 Watt
Light source Integrated dimmable led
Led color 2700K
CRI 90

Colors

More specifications on pages 103 - 124

one





DESK

Design by Anton de Groof 2022

Material Aluminum & steel
Description ONE + desk is made out of powder coated aluminum and steel. The ONE is portable and has a built-in battery. The magnetic attachment allows you to snap ONE onto different fixtures. Charging cable included.
Volt 220-240 V | Max 2 Watt
Light source Integrated dimmable led
Led color 2700K
CRI 90

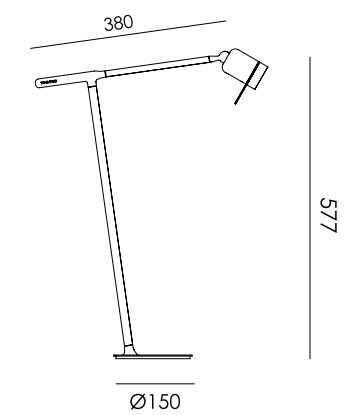
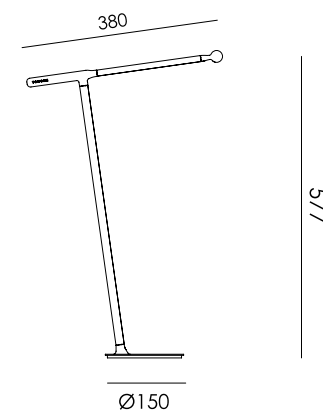
Colors

More specifications on pages 103 - 124

desk



one + desk





FLOOR

Design by Anton de Groof 2022

Material Steel & aluminum
Description ONE + floor is made out of powder coated aluminum and steel. The ONE is portable and has a built-in battery. The magnetic attachment allows you to snap ONE onto different fixtures. Charging cable included.
Volt 220-240 V | Max 2 Watt
Light source Integrated dimmable led
Led color 2700K
CRI 90

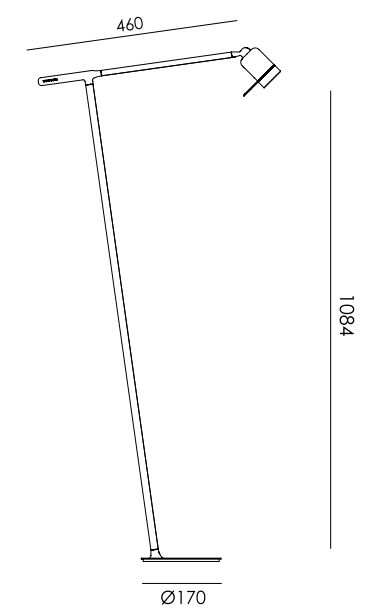
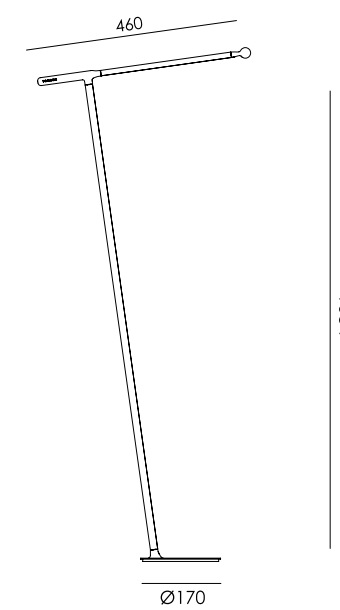
Colors 

More specifications on pages 103 - 124

floor



one + floor





FLOOR STRAIGHT

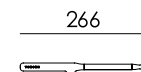
Design by Anton de Groof 2023

Material Steel & aluminum
 Description ONE + floor is made out of powder coated aluminum and steel. The ONE is portable and has a built-in battery. The magnetic attachment allows you to snap ONE onto different fixtures. Charging cable included.
 Volt 220-240 V | Max 2 Watt
 Light source Integrated dimmable led
 Led color 2700K
 CRI 90

Colors 

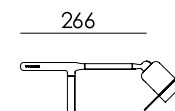
More specifications on pages 103 - 124

floor

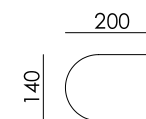


1125

one + floor




1125



WALL + KNOB

Design by Anton de Groof 2022

Material Steel & aluminum
 Description ONE + wall is made out of powder coated aluminum and steel. The ONE is portable and has a built-in battery. The magnetic attachment allows you to snap ONE onto different fixtures. Charging cable included.
 Volt 220-240 V | Max 2 Watt
 Light source Integrated dimmable led
 Led color 2700K
 CRI 90

Colors 

More specifications on pages 103 - 124

wall fixture



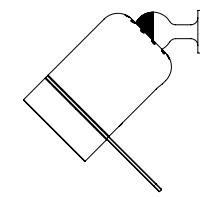
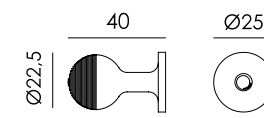
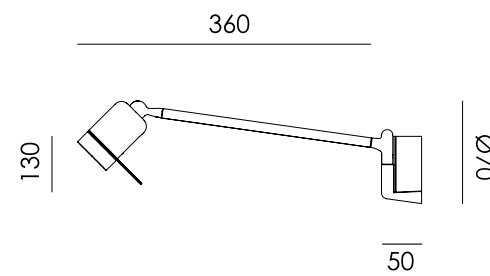
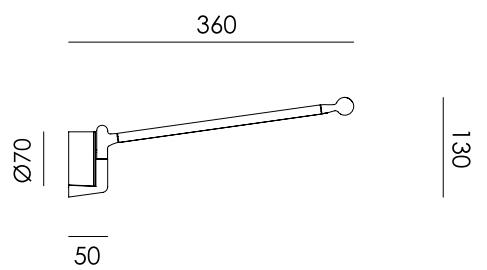
one + wall



knob



one + knob





BELLA



The Tonone Bella truly lives up to her name: she's a real Bella. Because of the three legs, a closed lampshade and the use of only one screw, this lamp has a functional design. The choice of powder-coated steel makes the Bella strong, both in her appearance and her construction.

Bella is available in 2 different models, as a pendant and table lamp, and 11 colors. To customize the design even further, you can choose the color of the fitting: black or brass.



TABLE

Design by Anton de Groof 2022

Material Aluminum & steel
Description The three legs are made of powder coated steel, the lampshade of coated aluminum. The Bella is almost completely screwless, the fitting is the only part that is secured with a screw.

Volt 220-240 V
Max Watt 60 Watt
Socket E27

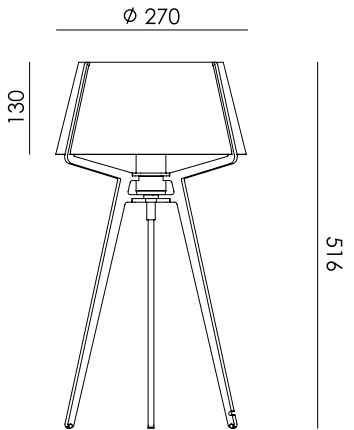
Colors

More specifications on pages 103 - 124

black aluminum fitting



brass fitting





PENDANT

Design by Anton de Groof 2022

Material Aluminum & steel
Description The lampshade is made of powder coated aluminum. The Bella is almost completely screwless, the fitting is the only part that is secured with a screw.
Volt 220-240 V
Max Watt 60 Watt
Socket E27

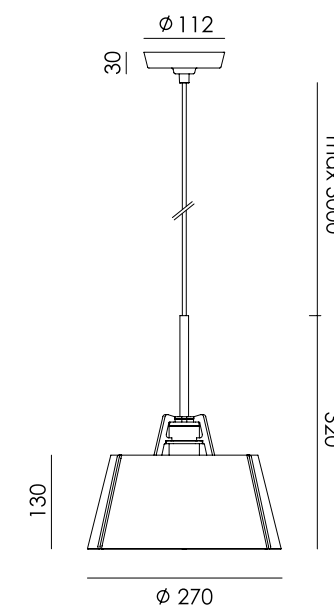
Colors

More specifications on pages 103 - 124

black aluminum fitting



brass fitting





BOLT

The starting point for the products of Tonone is the passion for traditional mechanics. The first product line that resulted from this fascination is the lamp series 'Bolt'.

The key element in this industrial series is the joint construction that can be adjusted with a wingnut-shaped tool. Besides being a functional tool, this wingnut is integrated in the design of the lamp itself as a distinctive visual element.



DESK

Design by Anton de Groof 2013

Material: Steel & aluminum
 Description: Base and body in powder coated steel, shade in powder coated aluminum. The shade and arms are adjustable with the wingnut.
 Volt: 220-240 V
 Max Watt: 60 Watt
 Socket: E27

Colors: 

More specifications on pages 103 - 124

2 arm foot



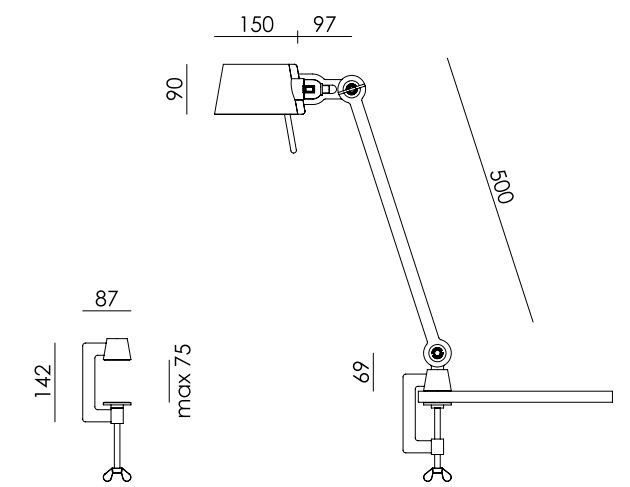
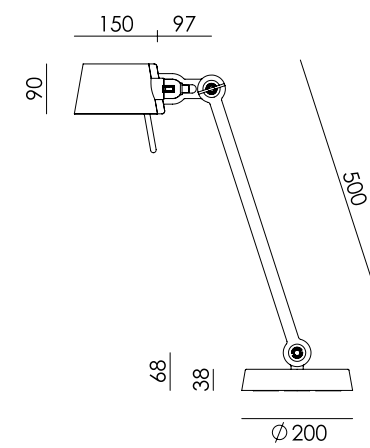
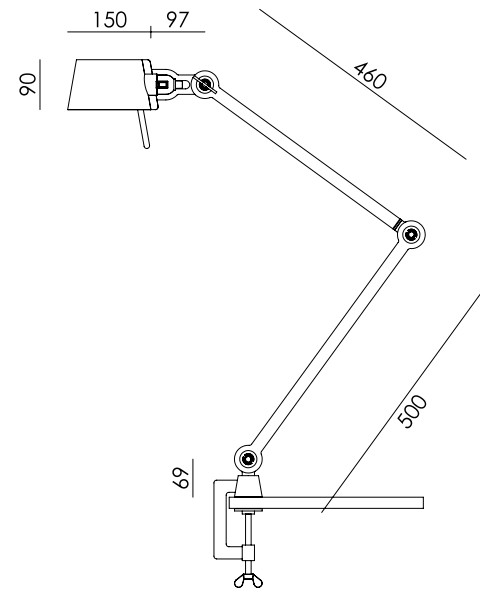
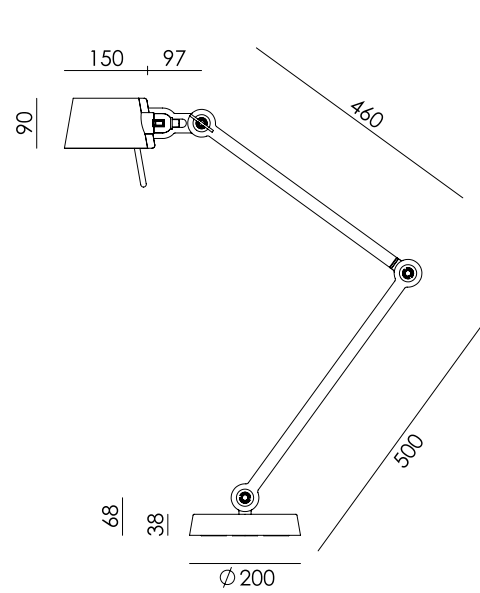
2 arm clamp



1 arm foot



1 arm clamp







DESK SMALL

Design by Anton de Groof 2013

Material: Steel & aluminum
 Description: Base and body in powder coated steel, shade in powder coated aluminum. The shade and arms are adjustable with the wingnut.
 Volt: 220-240 V
 Max Watt: 60 Watt
 Socket: E27

Colors:

More specifications on pages 103 - 124

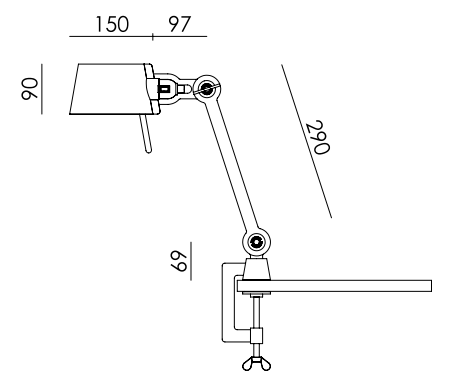
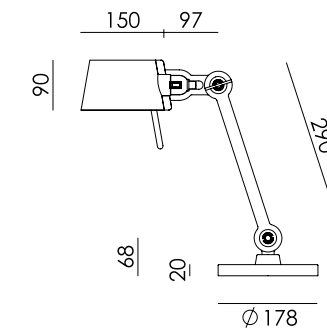
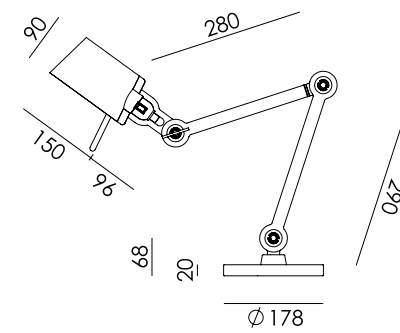
2 arm small



1 arm small



1 arm small clamp





TABLE

Design by Anton de Groof 2013

Material: Steel & aluminum
 Description: Base and body in powder coated steel, shade in powder coated aluminum. The shade and arms are adjustable with the wingnut.
 Volt: 220-240 V
 Max Watt: 60 Watt
 Socket: E27

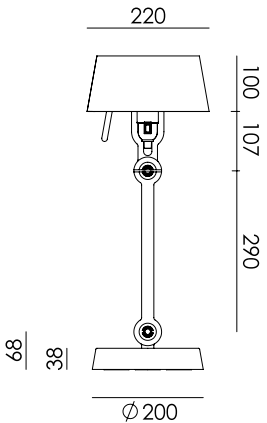
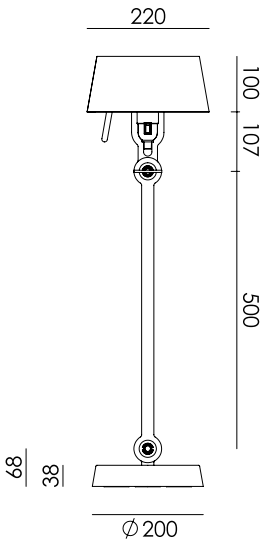
Colors:

More specifications on pages 103 - 124

standard



small





FLOOR

Design by Anton de Groof 2013

Material: Steel & aluminum
 Description: Base and body in powder coated steel, shade in powder coated aluminum. The shade and arms are adjustable with the wingnut.
 Volt: 220-240 V
 Max Watt: 60 Watt
 Socket: E27

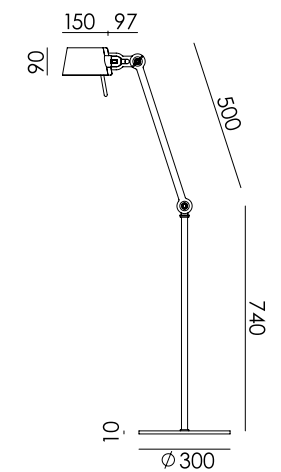
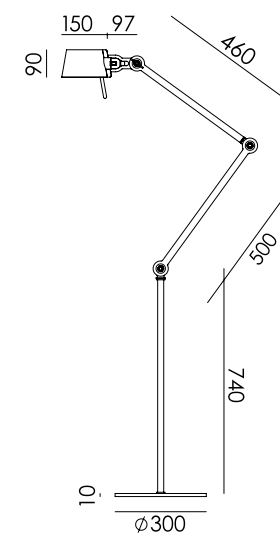
Colors:

More specifications on pages 103 - 124

2 arm sidefit



1 arm sidefit





FLOOR LONG

Design by Anton de Groof 2013

Material Steel & aluminum
 Description Base and body in powder coated steel, shade in powder coated aluminum.
 The shade and arms are adjustable with the wingnut.
 Volt 220-240 V
 Max Watt 60 Watt
 Socket E27
 Dimmer 2 arm upperfit includes a LED dimmer

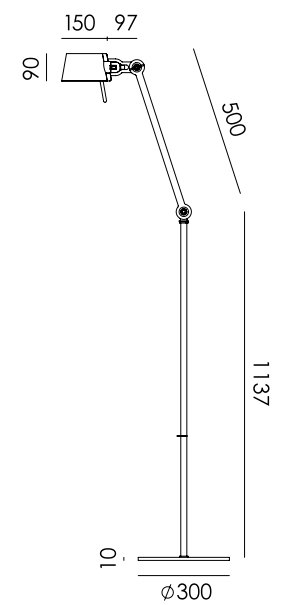
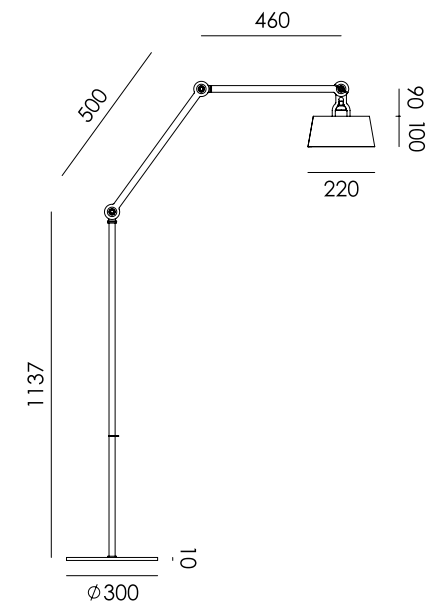
Colors 

More specifications on pages 103 - 124

long 2 arm upperfit

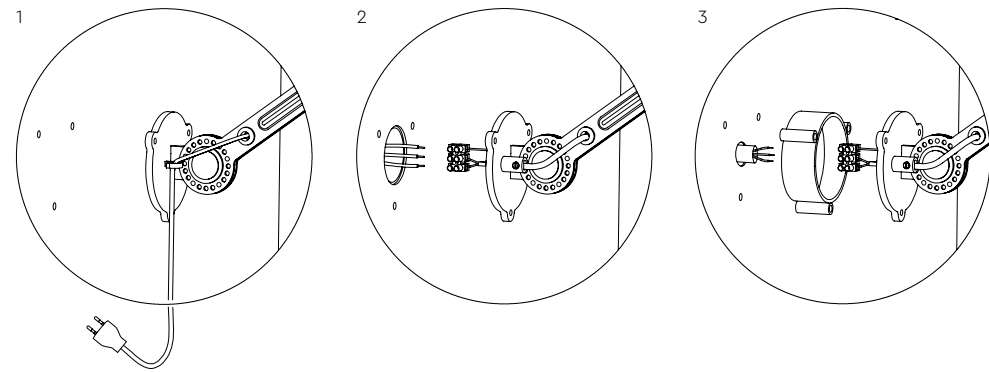


long 1 arm sidefit



WALL

Installation



Design by Anton de Groof 2013

Material Steel & aluminum
 Description Body in powder coated steel, shade in powder coated aluminum.
 The shade and arms are adjustable with the wingnut.
 Volt 220-240 V | Max 60 Watt
 Socket E27
 Installation-options 1. powercord including switch and europlug
 2. terminal block to install directly on a junction box
 3. option 2 + optional wall ring



More specifications on pages 103 - 124

sidefit



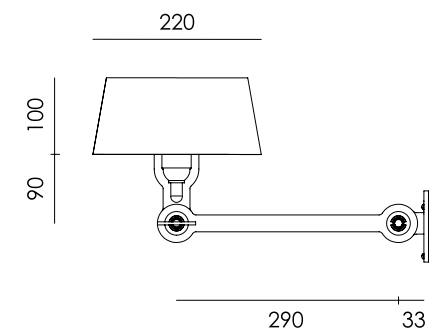
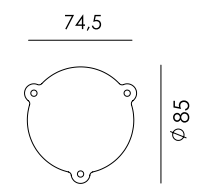
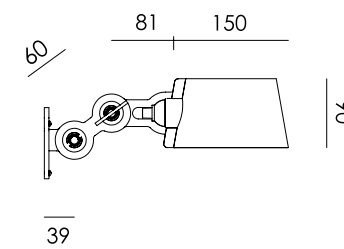
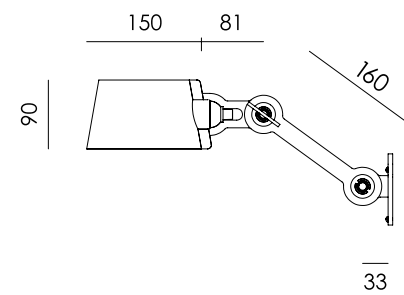
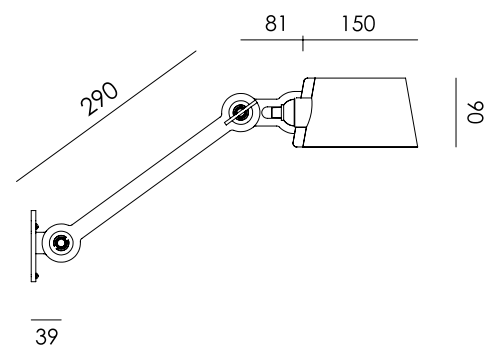
sidefit small



sidefit mini



underfit





BED

Design by Anton de Groof 2013

Material Steel & aluminum
 Description Body in powder coated steel, shade in powder coated aluminum. The shade and arms are adjustable with the wingnut.
 Volt 220-240 V | Max 60 Watt
 Socket E27
 Installation-options 1. powercord including europlug
 2. terminal block to install directly on a junction box
 3. option 2 + optional wall ring

Colors

More specifications on pages 103 - 124

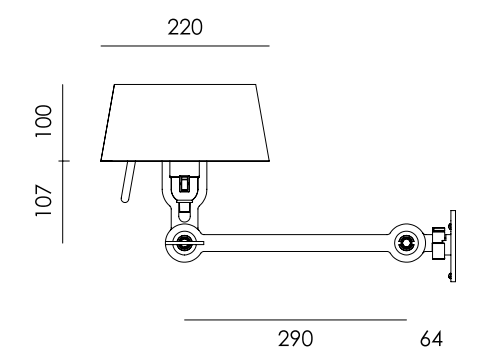
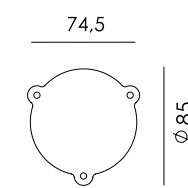
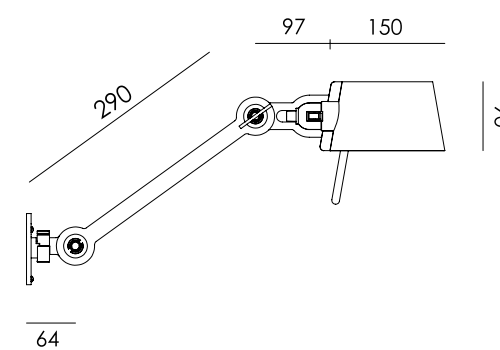
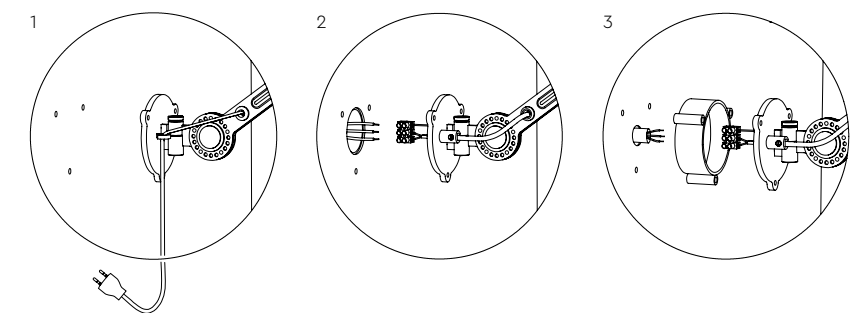
sidefit



underfit



Installation





CEILING

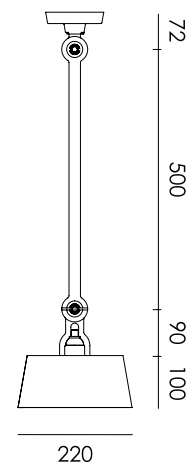
Design by Anton de Groof 2016

Material Steel & aluminum
 Description Body in powder coated steel, shade in powder coated aluminum.
 The shade and arms are adjustable with the wingnut.
 Volt 220-240 V | Max 60 Watt
 Socket E27

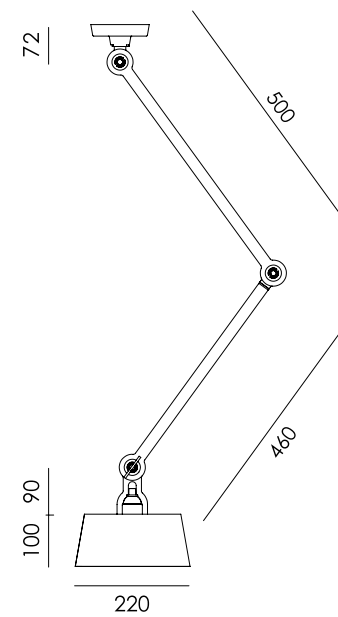
Colors 

More specifications on pages 103 - 124

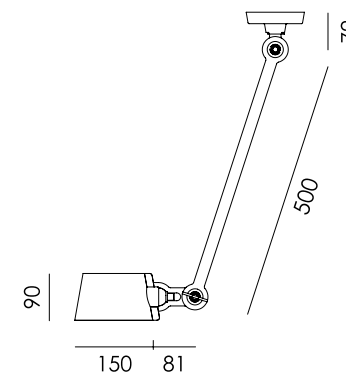
1 arm upperfit



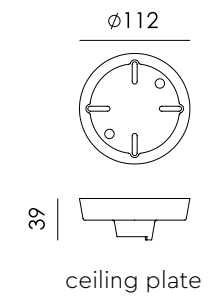
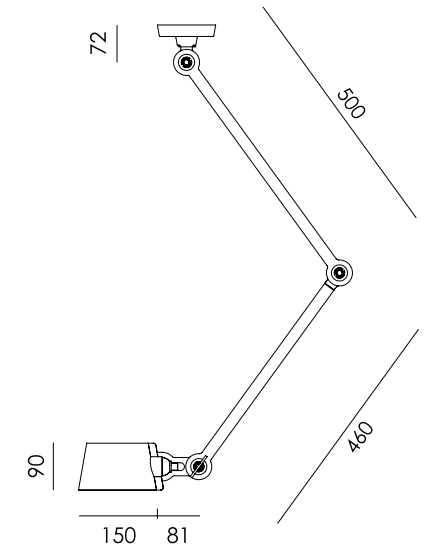
2 arm upperfit



1 arm sidefit



2 arm sidefit



CHANDELIER

Design by Anton de Groof 2013

Material Steel & aluminum
 Description Body in powder coated steel, shades in powder coated aluminum.
 The shades and arms are adjustable with the wingnut.
 Volt 220-240 V
 Max Watt 60 Watt
 Socket E27

Colors 

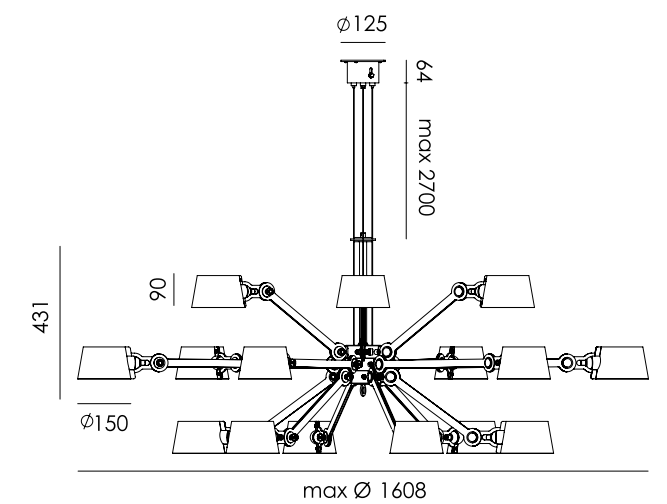
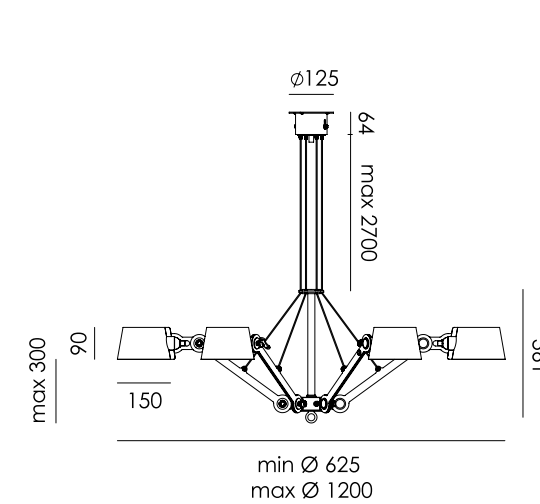
More specifications on pages 103 - 124



6 arm



18 arm





PACK PENDANT

Design by Anton de Groof 2013

Material: steel & aluminum
 Description: Body in powder coated steel, shades in powder coated aluminum. The shades and arms are adjustable with the wingnut.
 Volt: 220-240 V
 Max Watt: 60 Watt
 Socket: E27

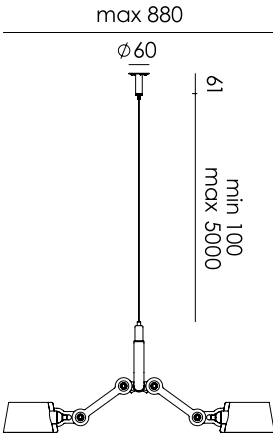
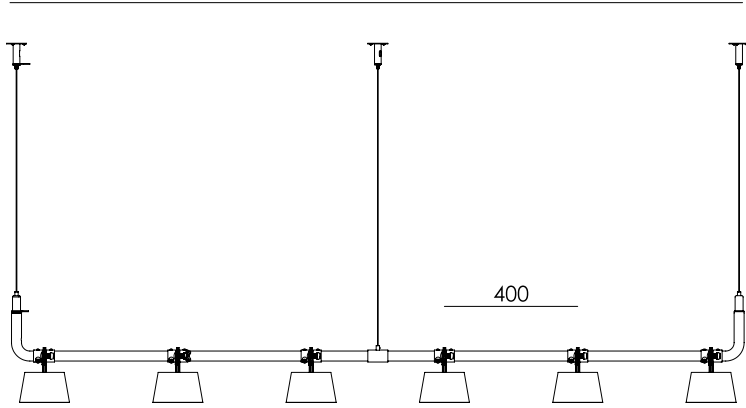
Colors: 

More specifications on pages 103 - 124

pack pendant



12 pack = 2190
 10 pack = 1790
 8 pack = 1390
 6 pack = 990





BEADS

The Beads collection is a series of lamps designed to fit in every environment. The modest look of the armature starts shining when it comes to functionality. With its 360 degrees dimmable Led range, the Beads is a solution for every situation.

On top of that the Beads is available as a pendant, a ceiling-, wall-, floor- or table lamp. With the Beads Tonone illustrates a next step in innovating lighting concepts, but also sticks to the basic design signature of this brand.





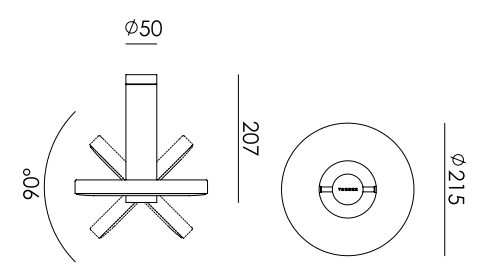
PENDANT

Design by Anton de Groof 2018

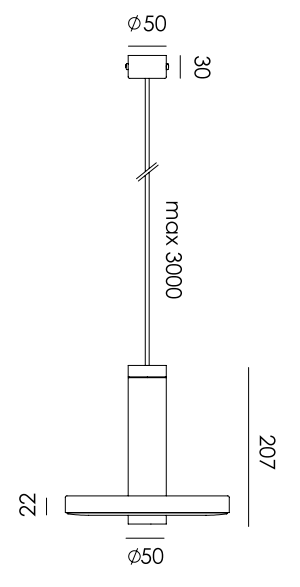
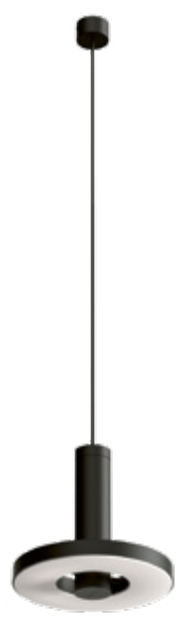
Material	Aluminum
Description	The lightweight Beads is made out of aluminum materials.
Volt	220-240 V
Watt	13 Watt
Light source	Phase cut dimmable led
LED color	Dim to warm (2100K to 3000K)
CRI	90

Color

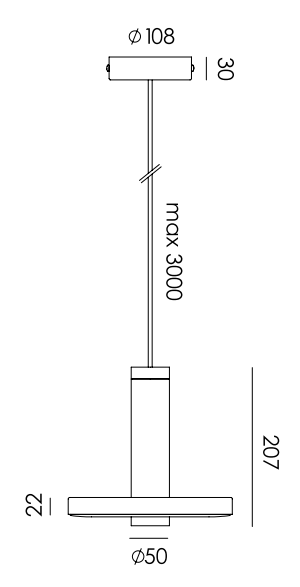
More specifications on pages 103 - 124



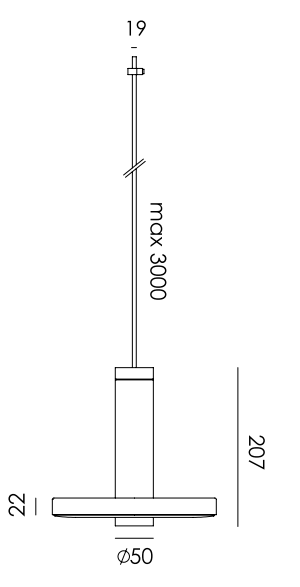
pendant box 50



pendant box 108



pendant





DIRECT

Design by Anton de Groof 2018

Material	Aluminum
Description	The lightweight Beads is made out of aluminum materials.
Volt	220-240 V
Watt	13 Watt
Light source	Phase cut dimmable led
LED color	Dim to warm (2100K to 3000K)
CRI	90

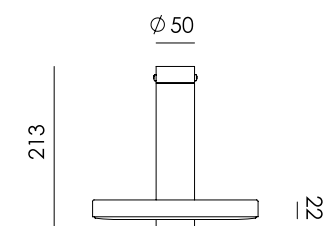
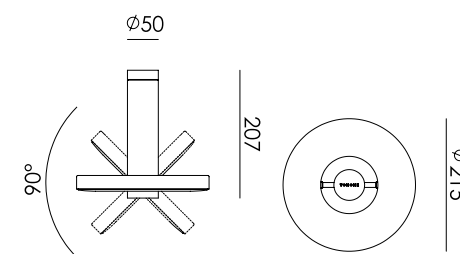
Color 

More specifications on pages 103 - 124

direct outside



direct inside





Beads pendant

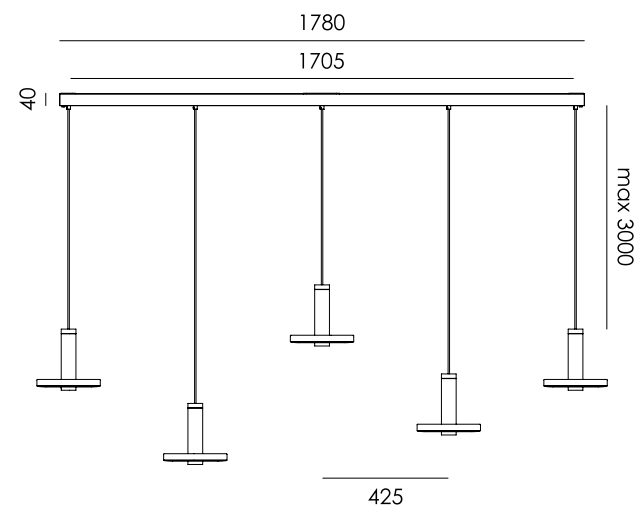
BEADS IN LINE

Design by Anton de Groof 2018

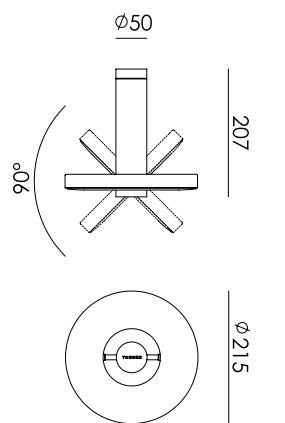
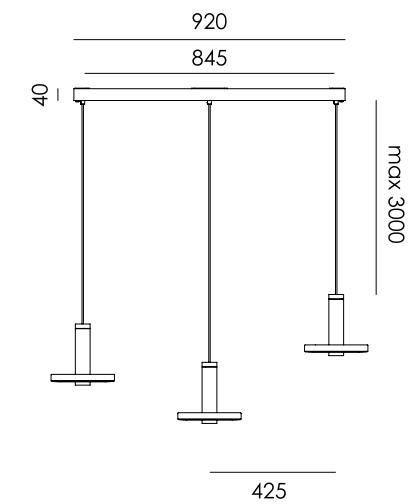
Material	Aluminum
Description	The lightweight Beads is made out of aluminum materials.
Volt	220-240 V
Watt	13 Watt
Light source	Phase cut dimmable led
LED color	Dim to warm (2100K to 3000K)
CRI	90
Color	●

More specifications on pages 103 - 124

five beads in line



three beads in line





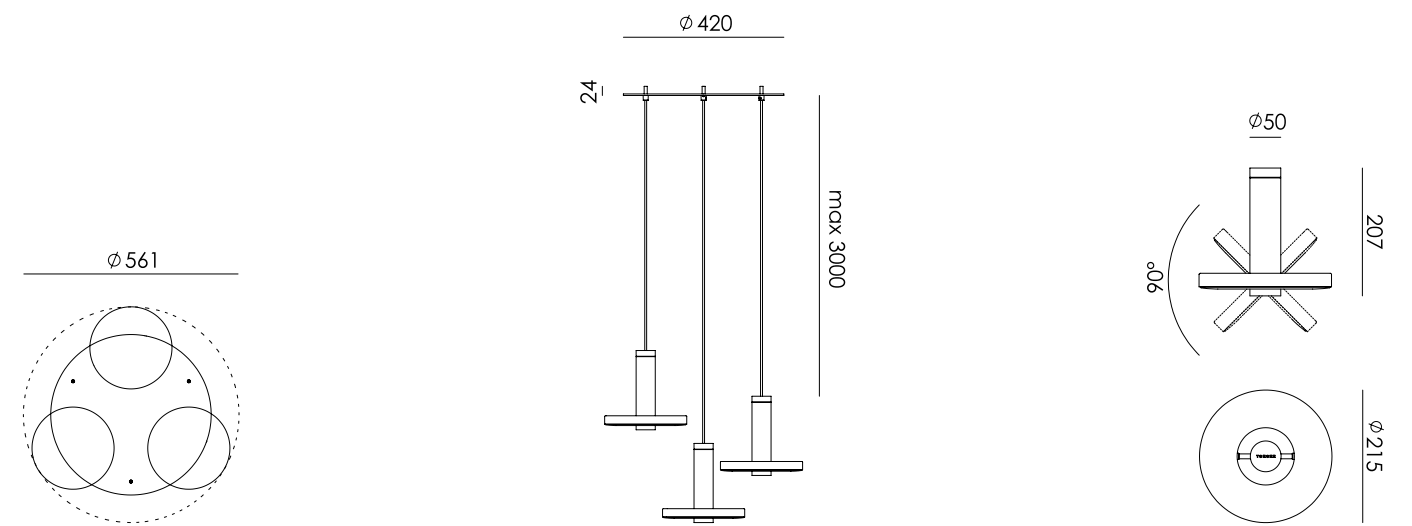
BEADS IN CIRCLE

Design by Anton de Groof 2018

Material	Aluminum
Description	The lightweight Beads is made out of aluminum materials.
Volt	220-240 V
Watt	13 Watt
Light source	Phase cut dimmable led
LED color	Dim to warm (2100K to 3000K)
CRI	90
Color	●

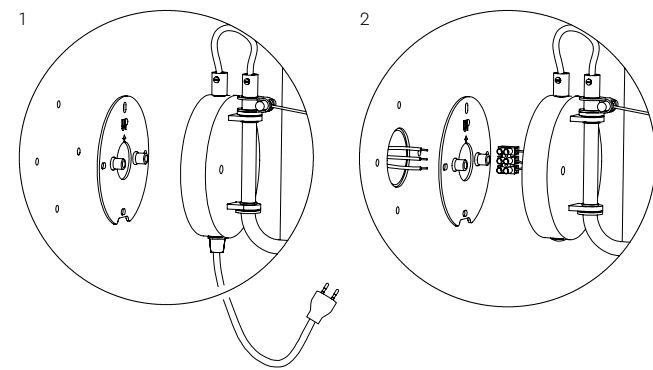
More specifications on pages 103 - 124

three beads in circle

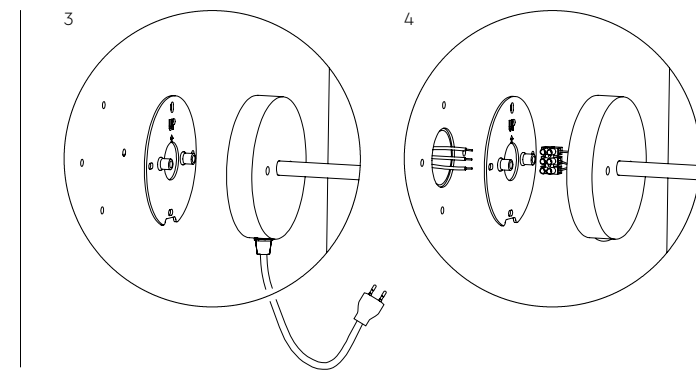


WALL

Installation wall 120



Installation wall 35

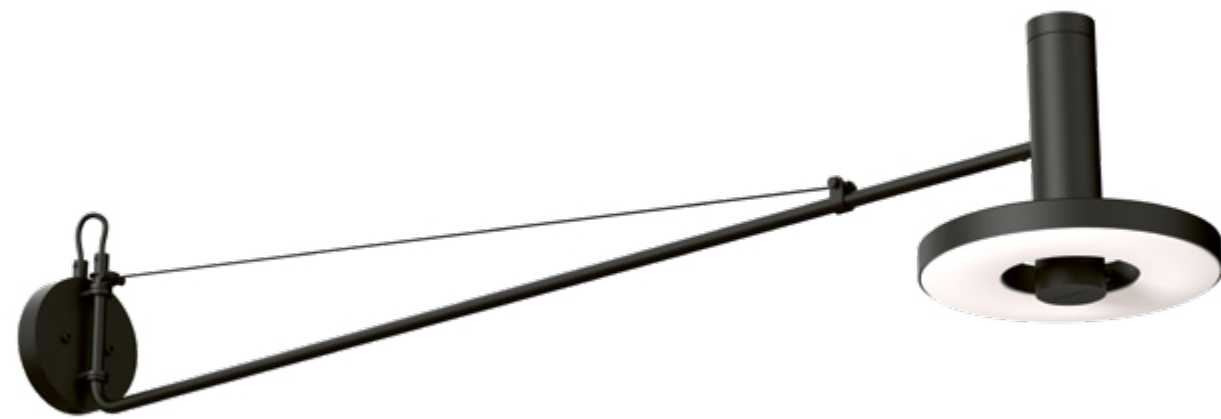


Design by Anton de Groof 2018

Material	Aluminum & steel
Description	The lightweight Beads is made out of aluminum materials. Wall mounts in powder coated steel.
Volt	220-240 V 13 Watt
Light source	Dimmable led
LED color	Dim to warm (2100K to 3000K)
CRI	90
Installation-options	1. & 3. with powercord including europlug, dimmer on fixture 2. & 4. with terminal block to install directly on a junction box, phase cut dimmable
Color	●

More specifications on pages 103 - 124

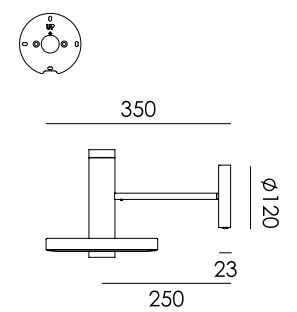
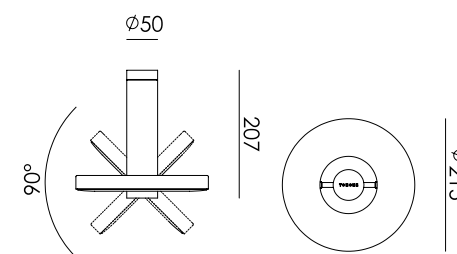
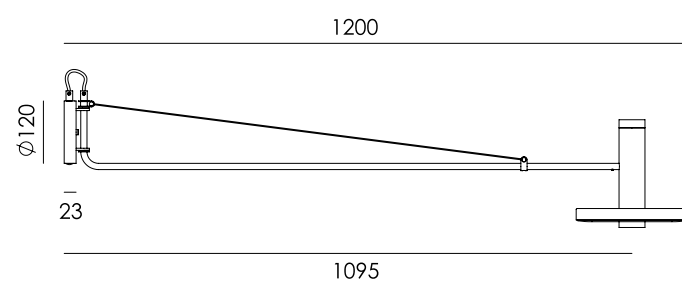
wall 120



wall 35 down



wall 35 up





FLOOR & TABLE

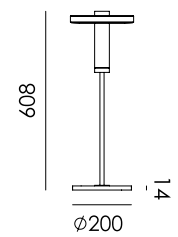
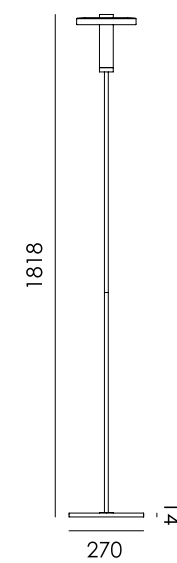
Design by Anton de Groof 2018

Material	Aluminum & steel
Description	The lightweight Beads is made out of aluminum materials. Base and tube in coated steel.
Tech specs	220-240 V
Watt	13 Watt
Light source	Dimmable LED, Beads Floor includes a LED dimmer on cord Beads Table is dimmable on fixture
LED color	Dim to warm (2100K to 3000K)
CRI	90
Color	●

More specifications on pages 103 - 124

floor

table





MR. TUBES LED

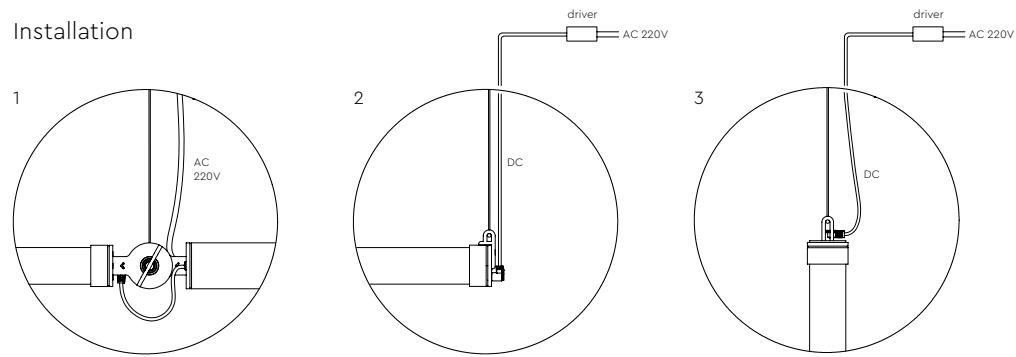


Mr. Tubes is a sturdy lamp design that combines pure functionality with graphical aesthetics. The black- or white coated steel construction holds the led tubes and gives the lamp an industrial look; a straightforward design suitable for various locations. The lamp is dimmable and the adjustable steel cables make it possible to hang the lamp at any height.

Mr. Tubes is available as a pendant single, double, floor, wall and chandelier. Or build your own with the Mr. Tubes Led Connect.

PENDANT

Installation



Design by Anton de Groof 2019

Material Aluminum & steel
 Description Body in powder coated steel & aluminum, carried by black steel cables.
 The Mr. Tubes is phase cut dimmable.
 Volt 220-240 V | 1000 mm tube 11,2 Watt | 700 mm 7,6 Watt
 Installation 1. driver on fixture
 2. & 3. driver separate
 Light color 2700K or 4000K
 CRI 80

Colors

More specifications on pages 103 - 124

vertical 1000

driver separate



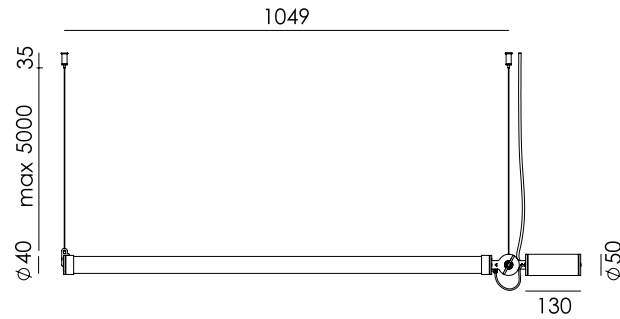
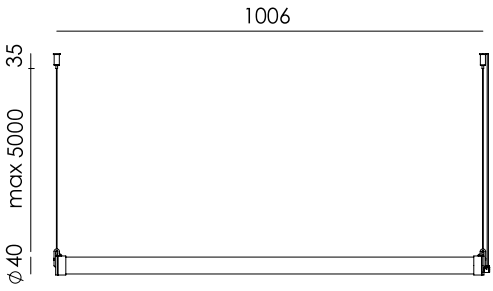
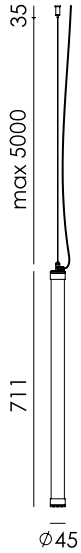
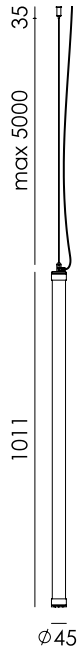
vertical 700

driver separate



single driver separate

single driver on fixture





DOUBLE

Design by Anton de Groof 2019

Material Aluminum & steel
 Description Body in powder coated steel & aluminum, carried by 2 black steel cables.
 The Mr. Tubes is phase cut dimmable.
 Volt 220-240 V
 Watt 11,2 Watt
 Light color 2700K or 4000K
 CRI 80

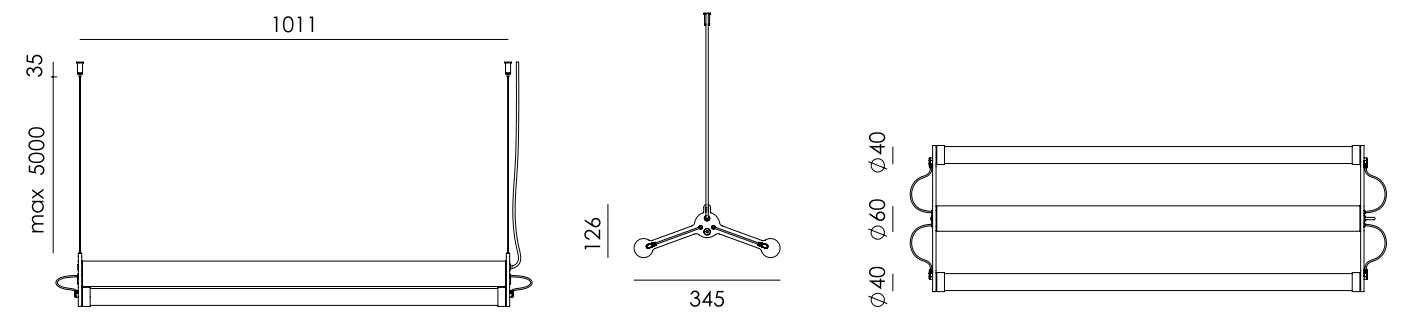
Colors

More specifications on pages 103 - 124

double black



double white





WALL

Design by Anton de Groof 2019

Material Aluminum & steel
 Description Body in powder coated steel & aluminum. The Mr. Tubes is phase cut dimmable.
 Volt 220-240 V | 7,6 Watt
 Light color 2700K or 4000K | CRI: 80
 Installation 1. with 3 meter powercord including europlug
 2. with terminal block to install directly on a junction box
 3. with optional wall ring

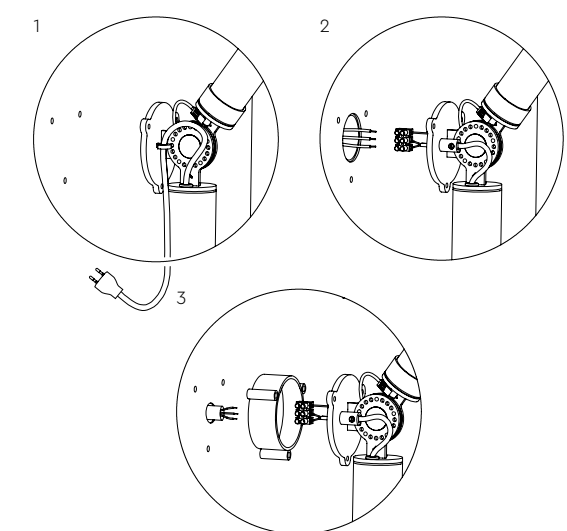
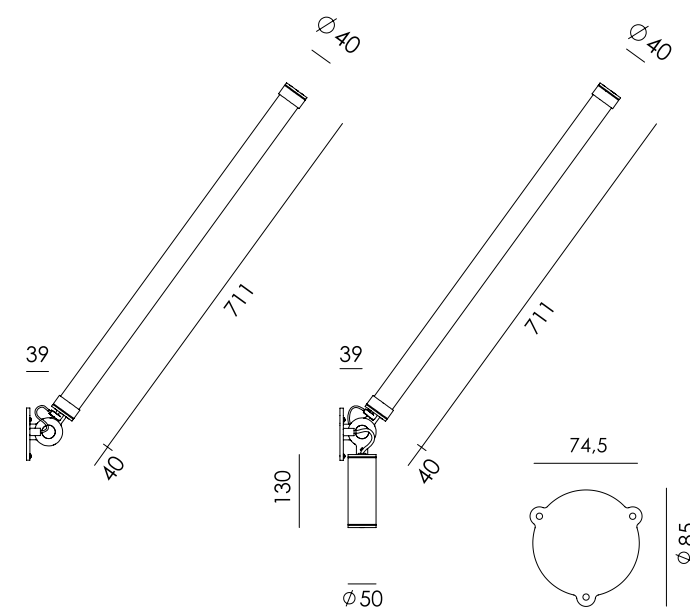
Colors

More specifications on pages 103 - 124

wall driver separate



wall driver on fixture



Drawings of the installation options of the Mr. Tubes LED driver separate: available on request or check tonone.com.



CHANDELIER

Design by Anton de Groof 2019

Material Aluminum & steel
 Description Body in powder coated steel & aluminum, carried by a black steel cable.
 The Mr. Tubes is phase cut dimmable.
 Volt 220-240 V
 Watt 7,6 Watt
 Light color 2700K or 4000K
 CRI 80

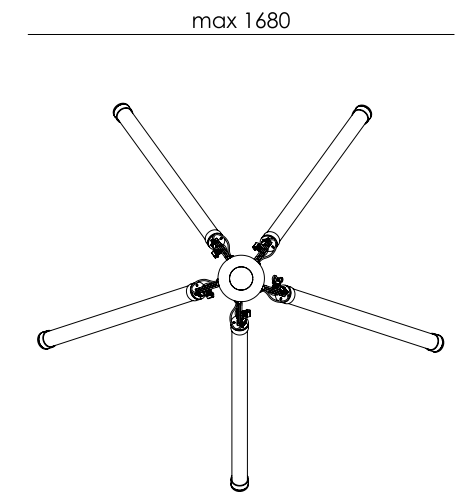
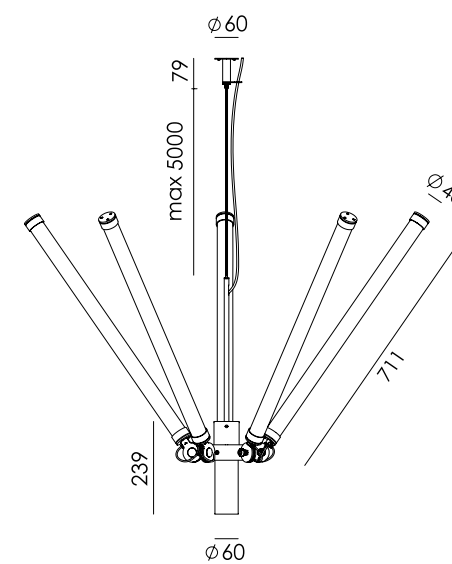
Colors  

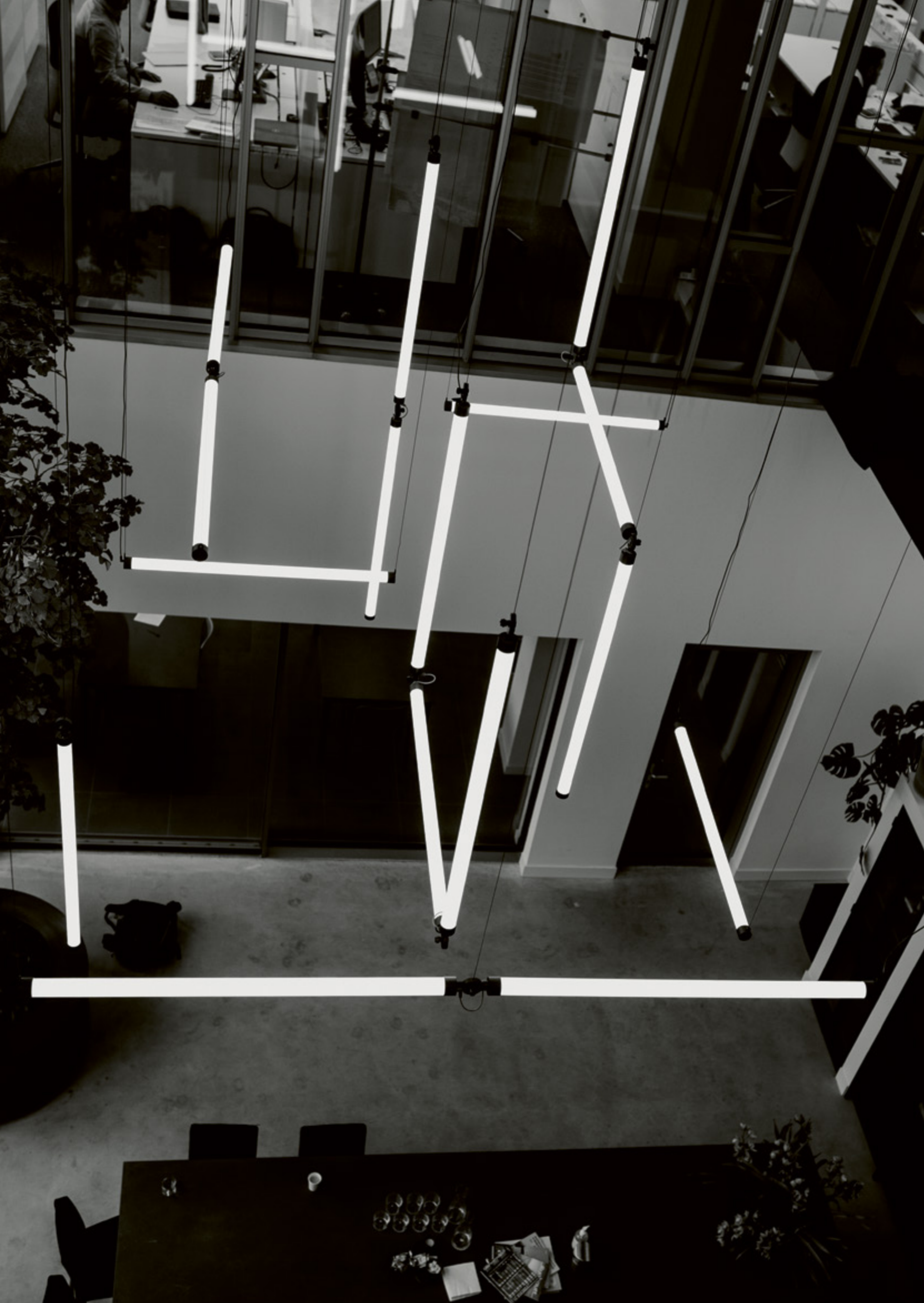
More specifications on pages 103 - 124

chandelier black



chandelier white





CONNECT

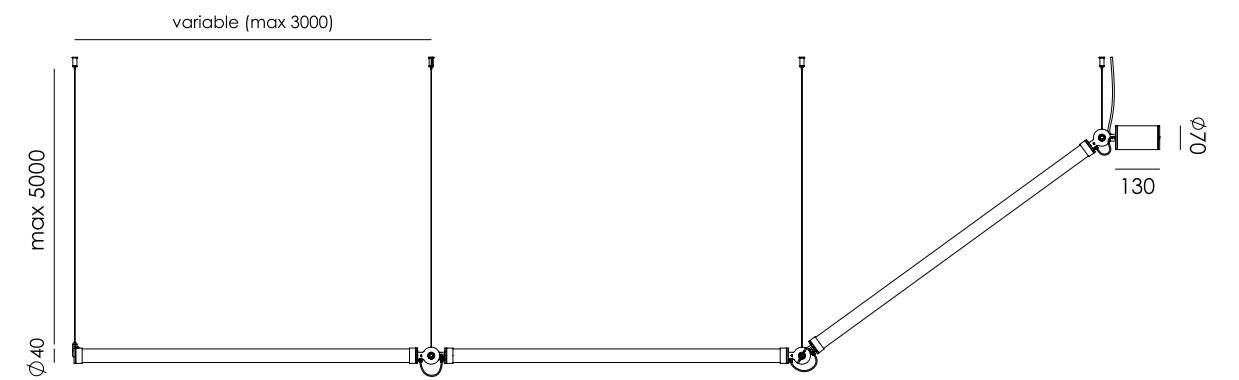
Design by Anton de Groof 2019

Material Aluminum & steel
Description Body in powder coated steel & aluminum, carried by black steel cables.
The Mr. Tubes is phase cut dimmable.
Volt 220-240 V | 1000 mm tube 11,2 Watt | 700 mm tube 7,6 Watt
Light color 2700K or 4000K
CRI 80

Colors  

Plan your Mr. Tubes led Connect with us.
info@tonone.com

connect





ATLAS



The combination of an aluminium or brass hinge mechanism with a transparent hand-blown glass shade creates a constructive lamp with a poetic character. By unfolding the hinge mechanism to an upright position, the glass shade is held up while it rests on the construction.

Atlas comes in two sizes; a big shade of 450 mm wide and a smaller shade of 350 mm wide.



ATLAS

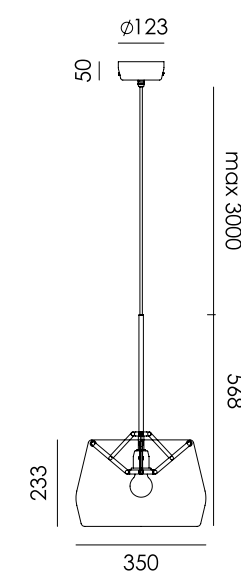
Design by Anton de Groof 2015

Material Brass & hand blown glass
 Description A hand blown glass shade held by an ingenious brass hinge mechanism.
 Volt 220–240 V
 Max Watt 60 Watt
 Socket E27
 Glass colors Transparent & neutral grey

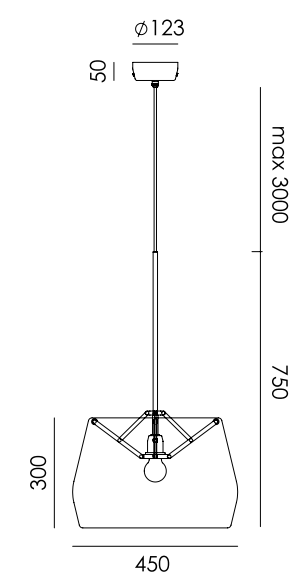
Color

More specifications on pages 103 – 124

D350



D450





ELLA



A hand-blown glass shade is supported by a sturdy steel tripod stand, underlining its strong, graphic yet elegant and light character. Both the transparent and the neutral grey shades provide a soft glow, and work harmoniously with the black or white stand colors and brass details.



ELLA

Design by Anton de Groof 2016

Material Steel & hand blown glass
Description The tripod stand is made of powder coated steel and holds a hand blown-glass shade.
Volt 220-240 V
Max Watt 60 Watt
Socket E27
Glass colors Transparent or neutral grey

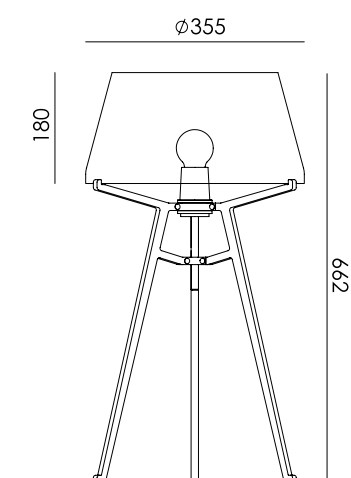
Body colors  

More specifications on pages 103 - 124

ella black



ella white




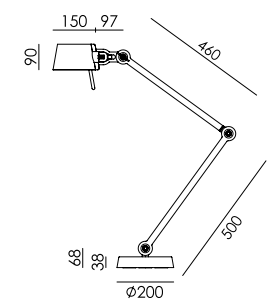


specifications

BOLT Desk 2 arm foot
Anton de Groof, 2013

Material: steel & aluminum
Weight: 7,8 kg
IP 20
Volt: 220-240 V | Max Watt: 60 Watt
Socket: E27
Cord length: 2900 mm

Wingnut solid brass included


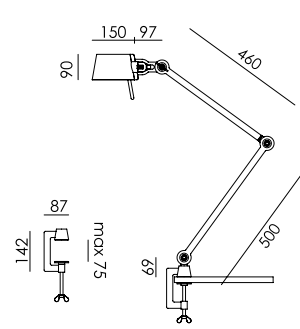
● smokey black	1001
● flux green	1003
○ pure white	1005
● midnight grey	1252
● ash grey	1008
● striking orange	1006
● lightning white	1004
● thunder blue	1007
● daybreak rose	1457
● sunny yellow	1415
● ice blue	1600

p. 34

BOLT Desk 2 arm clamp
Anton de Groof, 2013

Material: steel & aluminum
Weight: 2,5 kg
IP 20
Volt: 220-240 V | Max Watt: 60 Watt
Socket: E27
Cord length: 2900 mm

Wingnut solid brass included


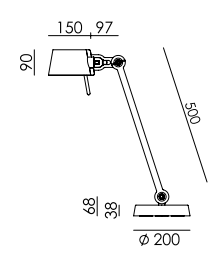
● smokey black	1009
● flux green	1011
○ pure white	1013
● midnight grey	1253
● ash grey	1016
● striking orange	1014
● lightning white	1012
● thunder blue	1015
● daybreak rose	1458
● sunny yellow	1416
● ice blue	1601

p. 34

BOLT Desk 1 arm foot
Anton de Groof, 2013

Material: steel & aluminum
Weight: 7,2 kg
IP 20
Volt: 220-240 V | Max Watt: 60 Watt
Socket: E27
Cord length: 2400 mm

Wingnut solid brass included


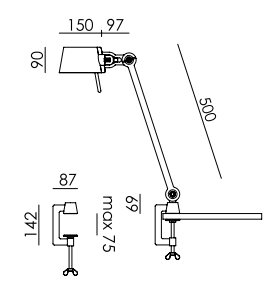
● smokey black	1017
● flux green	1019
○ pure white	1021
● midnight grey	1254
● ash grey	1024
● striking orange	1022
● lightning white	1020
● thunder blue	1023
● daybreak rose	1460
● sunny yellow	1418
● ice blue	1602

p. 35

BOLT Desk 1 arm clamp
Anton de Groof, 2013

Material: steel & aluminum
Weight: 1,9 kg
IP 20
Volt: 220-240 V | Max Watt: 60 Watt
Socket: E27
Cord length: 2400 mm

Wingnut solid brass included


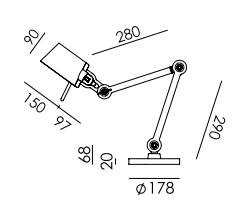
● smokey black	1025
● flux green	1027
○ pure white	1029
● midnight grey	1255
● ash grey	1032
● striking orange	1030
● lightning white	1028
● thunder blue	1031
● daybreak rose	1461
● sunny yellow	1419
● ice blue	1603

p. 35

BOLT Desk small 2 arm foot
Anton de Groof, 2013 / 2018

Material: steel & aluminum
Weight: 5,3 kg
IP 20
Volt: 220-240 V | Max Watt: 60 Watt
Socket: E27
Cord length: 2300 mm

Wingnut solid brass included


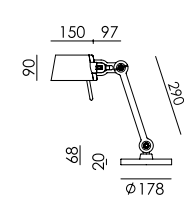
● smokey black	1352
● flux green	1353
○ pure white	1355
● midnight grey	1359
● ash grey	1358
● striking orange	1356
● lightning white	1354
● thunder blue	1357
● daybreak rose	1459
● sunny yellow	1417
● ice blue	1606

p. 39

BOLT Desk small 1 arm foot
Anton de Groof, 2013 / 2018

Material: steel & aluminum
Weight: 4,8 kg
IP 20
Volt: 220-240 V | Max Watt: 60 Watt
Socket: E27
Cord length: 2500 mm

Wingnut solid brass included


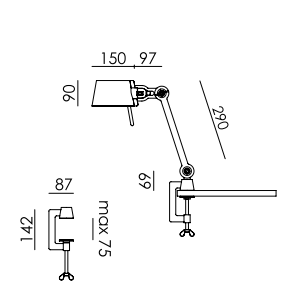
● smokey black	1033
● flux green	1035
○ pure white	1037
● midnight grey	1256
● ash grey	1040
● striking orange	1038
● lightning white	1036
● thunder blue	1039
● daybreak rose	1462
● sunny yellow	1420
● ice blue	1604

p. 39

BOLT Desk small 1 arm clamp
Anton de Groof, 2013 / 2018

Material: steel & aluminum
Weight: 1,7 kg
IP 20
Volt: 220-240 V | Max Watt: 60 Watt
Socket: E27
Cord length: 2500 mm

Wingnut solid brass included


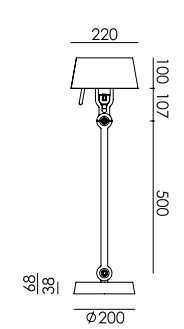
● smokey black	1041
● flux green	1042
○ pure white	1044
● midnight grey	1257
● ash grey	1048
● striking orange	1045
● lightning white	1043
● thunder blue	1046
● daybreak rose	1463
● sunny yellow	1421
● ice blue	1605

p. 39

BOLT Table standard
Anton de Groof, 2013

Material: steel & aluminum
Weight: 7,3 kg
IP 20
Volt: 220-240 V | Max Watt: 60 Watt
Socket: E27
Cord length: 2300 mm

Wingnut solid brass included


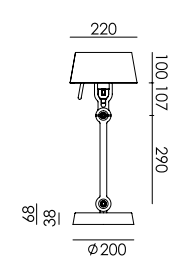
● smokey black	1049
● flux green	1051
○ pure white	1053
● midnight grey	1258
● ash grey	1056
● striking orange	1054
● lightning white	1052
● thunder blue	1055
● daybreak rose	1464
● sunny yellow	1422
● ice blue	1607

p. 41

BOLT Table small
Anton de Groof, 2013

Material: steel & aluminum
Weight: 7,2 kg
IP 20
Volt: 220-240 V | Max Watt: 60 Watt
Socket: E27
Cord length: 2500 mm

Wingnut solid brass included

● smokey black	1057
● flux green	1059
○ pure white	1061
● midnight grey	1259
● ash grey	1064
● striking orange	1062
● lightning white	1060
● thunder blue	1063
● daybreak rose	1465
● sunny yellow	1423
● ice blue	1608


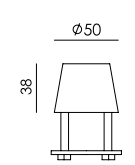
p. 41

BOLT Mount for table / desk

Material: steel & aluminum

Bolt Desk and Bolt Table available with mount instead of a foot or clamp.

Please contact Tonone for more information.
info@tonone.com

● smokey black	1547
● flux green	1548
○ pure white	1549
● midnight grey	1550
● ash grey	1551
● striking orange	1552
● lightning white	1553
● thunder blue	1554
● daybreak rose	1555
● sunny yellow	1556
● ice blue	1652

p. 39

BOLT Floor 2 arm sidefit
Anton de Groof, 2013

Material: steel & aluminum
Weight: 8,8 kg
Volt: 220-240 V | Max Watt: 60 Watt
Socket: E27
Cord length: 3000 mm

Wingnut solid brass included

p. 43

- smokey black 1065
- flux green 1067
- pure white 1069
- midnight grey 1260
- ash grey 1072
- striking orange 1070
- lightning white 1068
- thunder blue 1071
- daybreak rose 1466
- sunny yellow 1424
- ice blue 1609

BOLT Floor 1 arm sidefit
Anton de Groof, 2013

Material: steel & aluminum
Weight: 8,4 kg
IP 20
Volt: 220-240 V | Max Watt: 60 Watt
Socket: E27
Cord length: 2400 mm

Wingnut solid brass included

p. 43

- smokey black 1073
- flux green 1075
- pure white 1077
- midnight grey 1261
- ash grey 1080
- striking orange 1078
- lightning white 1076
- thunder blue 1079
- daybreak rose 1467
- sunny yellow 1425
- ice blue 1610

BOLT Floor long 2 arm upperfit
Anton de Groof, 2013

Material: steel & aluminum
Weight: 10,1 kg
Volt: 220-240 V | Max Watt: 60 Watt
Socket: E27
Cord length: 2900 mm
Includes a LED floordimmer on cord

Wingnut solid brass included

p. 45

- smokey black 1360
- flux green 1361
- pure white 1363
- midnight grey 1367
- ash grey 1366
- striking orange 1364
- lightning white 1362
- thunder blue 1365
- daybreak rose 1469
- sunny yellow 1427
- ice blue 1612

BOLT Floor long 1 arm sidefit
Anton de Groof, 2013

Material: steel & aluminum
Weight: 9,3 kg
IP 20
Volt: 220-240 V | Max Watt: 60 Watt
Socket: E27
Cord length: 2200 mm

Wingnut solid brass included

p. 45

- smokey black 1279
- flux green 1280
- pure white 1282
- midnight grey 1286
- ash grey 1285
- striking orange 1283
- lightning white 1281
- thunder blue 1284
- daybreak rose 1468
- sunny yellow 1426
- ice blue 1611

BOLT Wall sidefit with cord
Anton de Groof, 2013

Material: steel & aluminum
Weight: 1,0 kg
Volt: 220-240 V | Max Watt: 60 Watt
Socket: E27
Cord length: 2600 mm

Wingnut solid brass included

p. 46

- smokey black 1081
- flux green 1083
- pure white 1085
- midnight grey 1262
- ash grey 1088
- striking orange 1086
- lightning white 1084
- thunder blue 1087
- daybreak rose 1470
- sunny yellow 1428
- ice blue 1613

BOLT Wall sidefit install
Anton de Groof, 2013

Material: steel & aluminum
Weight: 1,0 kg
IP 20
Volt: 220-240 V | Max Watt: 60 Watt
Socket: E27
Optional: wallring

Wingnut solid brass included

p. 46

- smokey black 1089
- flux green 1091
- pure white 1093
- midnight grey 1265
- ash grey 1096
- striking orange 1094
- lightning white 1092
- thunder blue 1095
- daybreak rose 1473
- sunny yellow 1431
- ice blue 1614

BOLT Wall sidefit small with cord
Anton de Groof, 2013

Material: steel & aluminum
Weight: 1,0 kg
Volt: 220-240 V | Max Watt: 60 Watt
Socket: E27
Cord length: 2750 mm

Wingnut solid brass included

p. 46

- smokey black 1220
- flux green 1222
- pure white 1224
- midnight grey 1263
- ash grey 1227
- striking orange 1225
- lightning white 1223
- thunder blue 1226
- daybreak rose 1471
- sunny yellow 1429
- ice blue 1617

BOLT Wall sidefit small install
Anton de Groof, 2013

Material: steel & aluminum
Weight: 1,0 kg
IP 20
Volt: 220-240 V | Max Watt: 60 Watt
Socket: E27
Optional: wallring

Wingnut solid brass included

p. 46

- smokey black 1236
- flux green 1238
- pure white 1240
- midnight grey 1266
- ash grey 1243
- striking orange 1241
- lightning white 1239
- thunder blue 1242
- daybreak rose 1474
- sunny yellow 1432
- ice blue 1618

BOLT Wall sidefit mini with cord
Anton de Groof, 2013

Material: steel & aluminum
Weight: 0,9 kg
Volt: 220-240 V | Max Watt: 60 Watt
Socket: E27
Cord length: 2850 mm

Wingnut solid brass included

p. 47

- smokey black 1228
- flux green 1230
- pure white 1232
- midnight grey 1264
- ash grey 1235
- striking orange 1233
- lightning white 1231
- thunder blue 1234
- daybreak rose 1472
- sunny yellow 1430
- ice blue 1619

BOLT Wall sidefit mini install
Anton de Groof, 2013

Material: steel & aluminum
Weight: 0,9 kg
IP 20
Volt: 220-240 V | Max Watt: 60 Watt
Socket: E27
Optional: wallring

Wingnut solid brass included


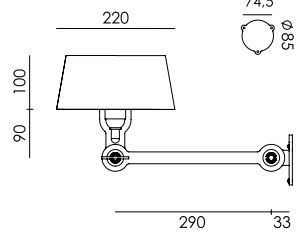
p. 47

- smokey black 1244
- flux green 1246
- pure white 1248
- midnight grey 1267
- ash grey 1251
- striking orange 1249
- lightning white 1247
- thunder blue 1250
- daybreak rose 1475
- sunny yellow 1433
- ice blue 1620

BOLT Wall underfit with cord
Anton de Groof, 2013

Material: steel & aluminum
Weight: 1,2 kg
IP 20
Volt: 220-240 V | Max Watt: 60 Watt
Socket: E27
Cord length: 2600 mm

Wingnut solid brass included


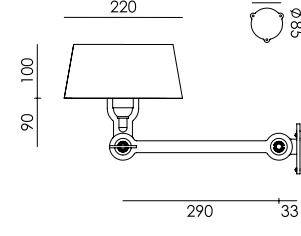
● smokey black	1105
● flux green	1107
○ pure white	1109
● midnight grey	1268
● ash grey	1112
● striking orange	1110
● lightning white	1108
● thunder blue	1111
● daybreak rose	1476
● sunny yellow	1434
● ice blue	1615

p. 47

BOLT Wall underfit install
Anton de Groof, 2013

Material: steel & aluminum
Weight: 1,2 kg
IP 20
Volt: 220-240 V | Max Watt: 60 Watt
Socket: E27
Optional: wallring

Wingnut solid brass included


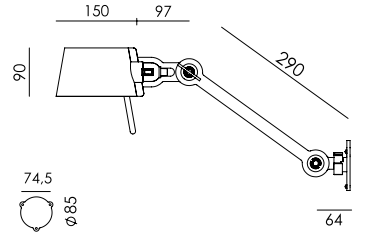
● smokey black	1113
● flux green	1114
○ pure white	1116
● midnight grey	1269
● ash grey	1120
● striking orange	1117
● lightning white	1115
● thunder blue	1118
● daybreak rose	1477
● sunny yellow	1435
● ice blue	1616

p. 47

BOLT Bed sidefit with cord
Anton de Groof, 2013

Material: steel & aluminum
Weight: 1,2 kg
IP 20
Volt: 220-240 V | Max Watt: 60 Watt
Socket: E27
Cord length: 2500 mm

Wingnut solid brass included


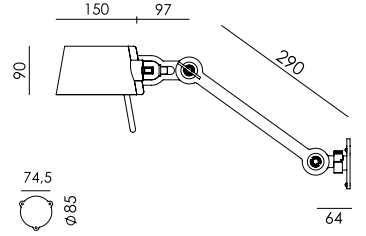
● smokey black	1129
● flux green	1131
○ pure white	1133
● midnight grey	1270
● ash grey	1136
● striking orange	1134
● lightning white	1132
● thunder blue	1135
● daybreak rose	1478
● sunny yellow	1436
● ice blue	1623

p. 49

BOLT Bed sidefit with cord MIRROR
Anton de Groof, 2013

Material: steel & aluminum
Weight: 1,2 kg
IP 20
Volt: 220-240 V | Max Watt: 60 Watt
Socket: E27
Cord length: 2500 mm

Wingnut solid brass included


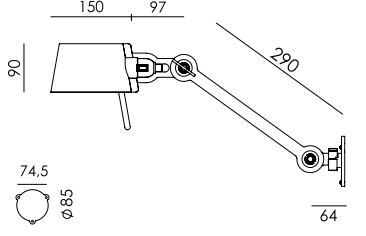
● smokey black	1529
● flux green	1530
○ pure white	1531
● midnight grey	1532
● ash grey	1533
● striking orange	1534
● lightning white	1535
● thunder blue	1536
● daybreak rose	1537
● sunny yellow	1538
● ice blue	1624

p. 49

BOLT Bed sidefit install
Anton de Groof, 2013

Material: steel & aluminum
Weight: 1,2 kg
IP 20
Volt: 220-240 V | Max Watt: 60 Watt
Socket: E27
Optional: wallring

Wingnut solid brass included


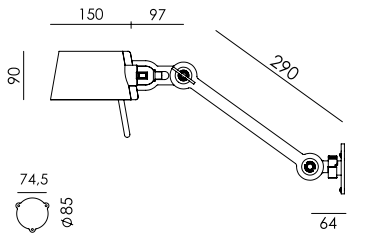
● smokey black	1137
● flux green	1139
○ pure white	1141
● midnight grey	1271
● ash grey	1144
● striking orange	1142
● lightning white	1140
● thunder blue	1143
● daybreak rose	1479
● sunny yellow	1437
● ice blue	1626

p. 49

BOLT Bed sidefit install MIRROR
Anton de Groof, 2013

Material: steel & aluminum
Weight: 1,2 kg
IP 20
Volt: 220-240 V | Max Watt: 60 Watt
Socket: E27
Optional: wallring

Wingnut solid brass included


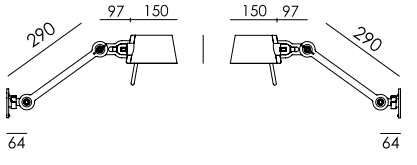
● smokey black	1368
● flux green	1369
○ pure white	1371
● midnight grey	1375
● ash grey	1374
● striking orange	1372
● lightning white	1370
● thunder blue	1373
● daybreak rose	1480
● sunny yellow	1438
● ice blue	1627

p. 49

BOLT Bed sidefit set
Anton de Groof, 2013

Material: steel & aluminum
Weight: 2,4 kg
IP 20
Volt: 220-240 V | Max Watt: 60 Watt
Socket: E27
Cord length: max 2500 mm

Wingnut solid brass included


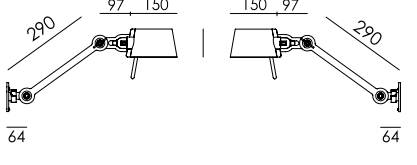
● smokey black	1560
● flux green	1561
○ pure white	1562
● midnight grey	1563
● ash grey	1564
● striking orange	1565
● lightning white	1566
● thunder blue	1567
● daybreak rose	1568
● sunny yellow	1569
● ice blue	1625

p. 49

BOLT Bed sidefit set install
Anton de Groof, 2013

Material: steel & aluminum
Weight: 2,4 kg
IP 20
Volt: 220-240 V | Max Watt: 60 Watt
Socket: E27
Optional: wallring

Wingnut solid brass included


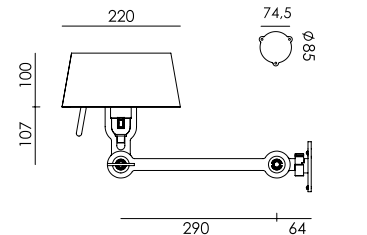
● smokey black	1570
● flux green	1571
○ pure white	1572
● midnight grey	1573
● ash grey	1574
● striking orange	1575
● lightning white	1576
● thunder blue	1577
● daybreak rose	1578
● sunny yellow	1579
● ice blue	1628

p. 49

BOLT Bed underfit with cord
Anton de Groof, 2013

Material: steel & aluminum
Weight: 1,4 kg
IP 20
Volt: 220-240 V | Max Watt: 60 Watt
Socket: E27
Cord length: 2500 mm

Wingnut solid brass included


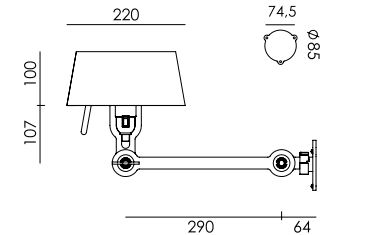
● smokey black	1145
● flux green	1147
○ pure white	1149
● midnight grey	1272
● ash grey	1152
● striking orange	1150
● lightning white	1148
● thunder blue	1151
● daybreak rose	1481
● sunny yellow	1439
● ice blue	1629

p. 49

BOLT Bed underfit with cord MIRROR
Anton de Groof, 2013

Material: steel & aluminum
Weight: 1,4 kg
IP 20
Volt: 220-240 V | Max Watt: 60 Watt
Socket: E27
Cord length: 2500 mm

Wingnut solid brass included

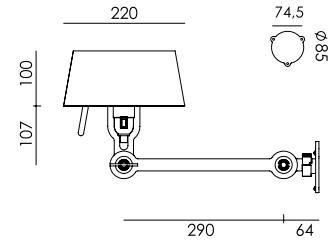



● smokey black	1519
● flux green	1520
○ pure white	1521
● midnight grey	1522
● ash grey	1523
● striking orange	1524
● lightning white	1525
● thunder blue	1526
● daybreak rose	1527
● sunny yellow	1528
● ice blue	1630

p. 49

BOLT Bed underfit install
Anton de Groof, 2013

Material: steel & aluminum
Weight: 1,4 kg
IP 20
Volt: 220-240 V | Max Watt: 60 Watt
Socket: E27
Optional: wallring



- smokey black 1153
- flux green 1155
- pure white 1157
- midnight grey 1273
- ash grey 1160
- striking orange 1158
- lightning white 1156
- thunder blue 1159
- daybreak rose 1482
- sunny yellow 1440
- ice blue 1632

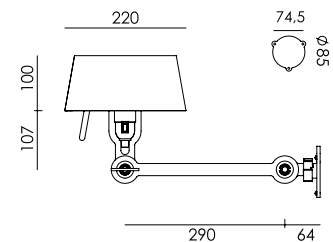
Wingnut solid brass included



p. 49

BOLT Bed underfit install MIRROR
Anton de Groof, 2013

Material: steel & aluminum
Weight: 1,4 kg
IP 20
Volt: 220-240 V | Max Watt: 60 Watt
Socket: E27
Optional: wallring



- smokey black 1376
- flux green 1377
- pure white 1379
- midnight grey 1383
- ash grey 1382
- striking orange 1380
- lightning white 1378
- thunder blue 1381
- daybreak rose 1483
- sunny yellow 1441
- ice blue 1633

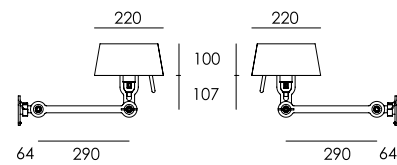
Wingnut solid brass included



p. 49

BOLT Bed underfit set
Anton de Groof, 2013

Material: steel & aluminum
Weight: 2,8 kg
IP 20
Volt: 220-240 V | Max Watt: 60 Watt
Socket: E27
Cord length: max 2500 mm



- smokey black 1580
- flux green 1581
- pure white 1582
- midnight grey 1583
- ash grey 1584
- striking orange 1585
- lightning white 1586
- thunder blue 1587
- daybreak rose 1588
- sunny yellow 1589
- ice blue 1631

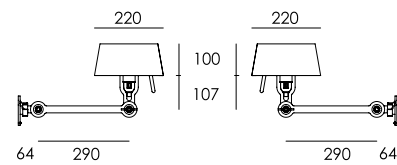
Wingnut solid brass included



p. 49

BOLT Bed underfit set install
Anton de Groof, 2013

Material: steel & aluminum
Weight: 2,8 kg
IP 20
Volt: 220-240 V | Max Watt: 60 Watt
Socket: E27
Optional: wallring



- smokey black 1590
- flux green 1591
- pure white 1592
- midnight grey 1593
- ash grey 1594
- striking orange 1595
- lightning white 1596
- thunder blue 1597
- daybreak rose 1598
- sunny yellow 1599
- ice blue 1634

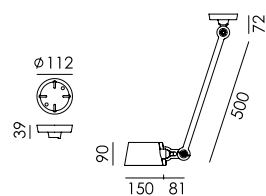
Wingnut solid brass included



p. 49

BOLT Ceiling 1 arm sidefit
Anton de Groof, 2016

Material: steel & aluminum
Weight: 1,5 kg
IP 20
Volt: 220-240 V | Max Watt: 60 Watt
Socket: E27



- smokey black 1304
- flux green 1305
- pure white 1307
- midnight grey 1311
- ash grey 1310
- striking orange 1308
- lightning white 1306
- thunder blue 1309
- daybreak rose 1486
- sunny yellow 1444
- ice blue 1636

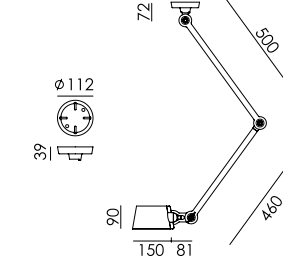
Wingnut solid brass included



p. 53

BOLT Ceiling 2 arm sidefit
Anton de Groof, 2016

Material: steel & aluminum
Weight: 1,9 kg
IP 20
Volt: 220-240 V | Max Watt: 60 Watt
Socket: E27



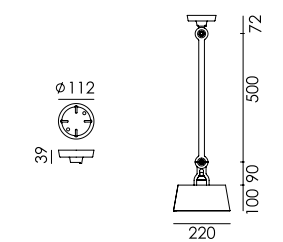
Wingnut solid brass included



p. 53

BOLT Ceiling 1 arm upperfit
Anton de Groof, 2016

Material: steel & aluminum
Weight: 1,7 kg
IP 20
Volt: 220-240 V | Max Watt: 60 Watt
Socket: E27



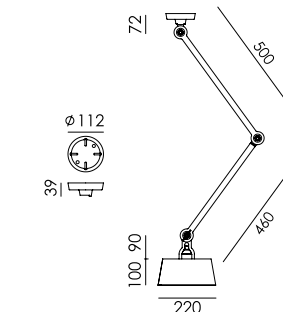
Wingnut solid brass included



p. 52

BOLT Ceiling 2 arm upperfit
Anton de Groof, 2016

Material: steel & aluminum
Weight: 2,1 kg
IP 20
Volt: 220-240 V | Max Watt: 60 Watt
Socket: E27



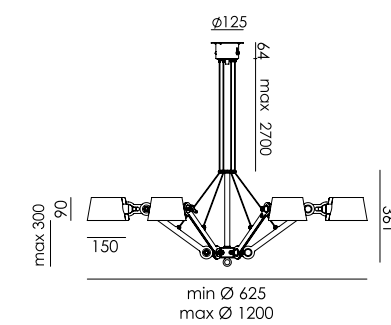
Wingnut solid brass included



p. 52

BOLT Chandelier 6 arm
Anton de Groof, 2013

Material: steel & aluminum
Weight: 6,5 kg
IP 20
Volt: 220-240 V | Max Watt: 60 Watt
Socket: E27
Cord length: max 3000 mm



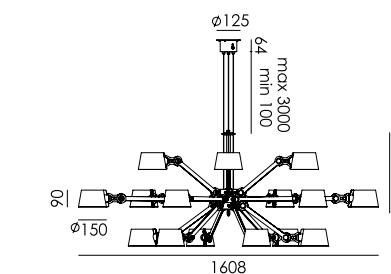
Wingnut solid brass included



p. 55

BOLT Chandelier 18 arm
Anton de Groof, 2013

Material: steel & aluminum
Weight: 15 kg
IP 20
Volt: 220-240 V | Max Watt: 60 Watt
Socket: E27
Cord length: max 3000 mm



Wingnut solid brass included

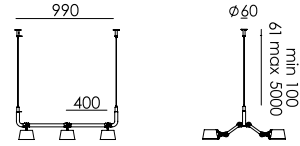


p. 55



BOLT 6-pack pendant
Anton de Groof, 2013

Material: steel & aluminum
Weight: 7 kg
IP 20
Volt: 220-240 V | Max Watt: 60 Watt
Socket: E27
Cord length: max 5000 mm



- smokey black 1170
- flux green 1097
- pure white 1098
- midnight grey 1103
- ash grey 1102
- striking orange 1100
- lightning white 1099
- thunder blue 1101
- daybreak rose 1495
- sunny yellow 1453
- ice blue 1646

Wingnut solid brass included

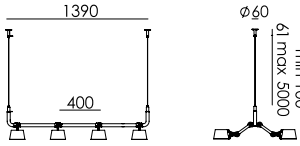


p. 57



BOLT 8-pack pendant
Anton de Groof, 2013

Material: steel & aluminum
Weight: 8,7 kg
IP 20
Volt: 220-240 V | Max Watt: 60 Watt
Socket: E27
Cord length: max 5000 mm



- smokey black 1171
- flux green 1104
- pure white 1121
- midnight grey 1126
- ash grey 1125
- striking orange 1123
- lightning white 1122
- thunder blue 1124
- daybreak rose 1496
- sunny yellow 1454
- ice blue 1647

Wingnut solid brass included

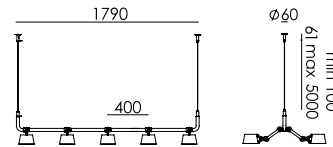


p. 57



BOLT 10-pack pendant
Anton de Groof, 2013

Material: steel & aluminum
Weight: 10,6 kg
IP 20
Volt: 220-240 V | Max Watt: 60 Watt
Socket: E27
Cord length: max 5000 mm



- smokey black 1172
- flux green 1127
- pure white 1128
- midnight grey 1193
- ash grey 1191
- striking orange 1175
- lightning white 1174
- thunder blue 1190
- daybreak rose 1497
- sunny yellow 1455
- ice blue 1648

Wingnut solid brass included

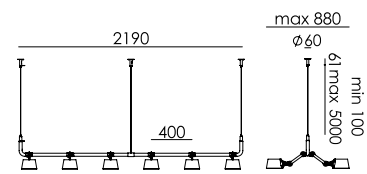


p. 57



BOLT 12-pack pendant
Anton de Groof, 2013

Material: steel & aluminum
Weight: 12,6 kg
IP 20
Volt: 220-240 V | Max Watt: 60 Watt
Socket: E27
Cord length: max 5000 mm



- smokey black 1173
- flux green 1208
- pure white 1209
- midnight grey 1214
- ash grey 1213
- striking orange 1211
- lightning white 1210
- thunder blue 1212
- daybreak rose 1498
- sunny yellow 1456
- ice blue 1649

Wingnut solid brass included

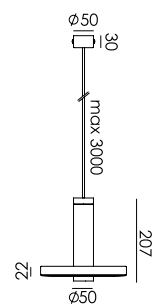


p. 57



BEADS Pendant box 50
Anton de Groof, 2018

Material: aluminum
Weight: 0,8 kg
IP 20
Volt: 220-240 V | 13 Watt
Dim to warm 2100K to 3000K
1350 lumen | CRI: 90
Phase cut dimmable
Cord length: max 3000 mm



- smokey black 2000

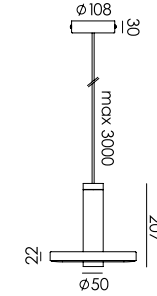


p. 63



BEADS Pendant box 108
Anton de Groof, 2018

Material: aluminum
Weight: 0,9 kg
IP 20
Volt: 220-240 V | 13 Watt
Dim to warm 2100K to 3000K
1350 lumen | CRI: 90
Phase cut dimmable
Cord length: max 3000 mm



- smokey black 2010

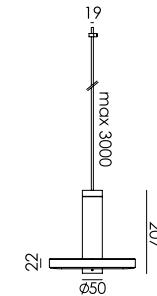


p. 63



BEADS Pendant
Anton de Groof, 2018

Material: aluminum
Weight: 0,8 kg
IP 20
Volt: 220-240 V | 13 Watt
Dim to warm 2100K to 3000K
1350 lumen | CRI: 90
Phase cut dimmable
Cord length: max 3000 mm



- smokey black 2020

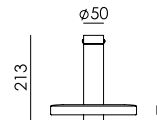


p. 63



BEADS Direct inside
Anton de Groof, 2018

Material: aluminum
Weight: 0,8 kg
IP 20
Volt: 220-240 V | 13 Watt
Dim to warm 2100K to 3000K
1350 lumen | CRI: 90
Phase cut dimmable



- smokey black 2030

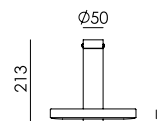


p. 65



BEADS Direct outside
Anton de Groof, 2018

Material: aluminum
Weight: 0,8 kg
IP 20
Volt: 220-240 V | 13 Watt
Dim to warm 2100K to 3000K
1350 lumen | CRI: 90
Phase cut dimmable



- smokey black 3000

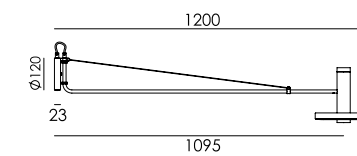


p. 65



BEADS Wall 120 with cord
Anton de Groof, 2018

Material: aluminum & steel
Weight: 1,9 kg
IP 20
Volt: 220-240 V | 13 Watt
Dim to warm 2100K to 3000K
1350 lumen | CRI: 90
Dimmable on fixture
Cord length: 2700 mm



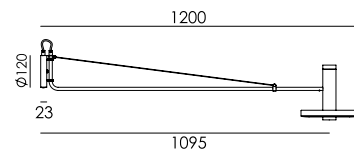
- smokey black 2040



p. 72

BEADS Wall 120 install
Anton de Groof, 2018

Material: aluminum & steel
Weight: 1,9 kg
IP 20
Volt: 220-240 V | 13 Watt
Dim to warm 2100K to 3000K
1350 lumen | CRI: 90
Phase cut dimmable



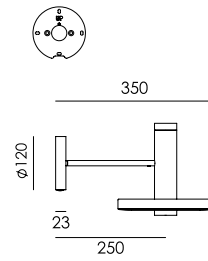
● smokey black 2050

p. 72

led

BEADS Wall 35 downlight with cord
Anton de Groof, 2018

Material: aluminum & steel
Weight: 1,3 kg
IP 20
Volt: 220-240 V | 13 Watt
Dim to warm 2100K to 3000K
1350 lumen | CRI: 90
Dimmable on fixture
Cord length: 2600 mm



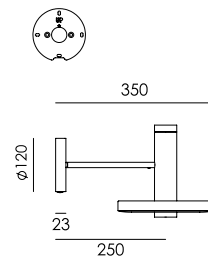
● smokey black 2060

p. 73

led

BEADS Wall 35 downlight install
Anton de Groof, 2018

Material: aluminum & steel
Weight: 1,3 kg
IP 20
Volt: 220-240 V | 13 Watt
Dim to warm 2100K to 3000K
1350 lumen | CRI: 90
Phase cut dimmable



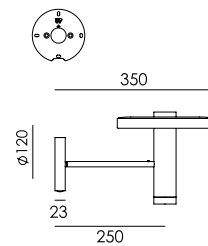
● smokey black 2070

p. 73

led

BEADS Wall 35 uplight with cord
Anton de Groof, 2018

Material: aluminum & steel
Weight: 1,3 kg
IP 20
Volt: 220-240 V | 13 Watt
Dim to warm 2100K to 3000K
1350 lumen | CRI: 90
Dimmable on fixture
Cord length: 2600 mm



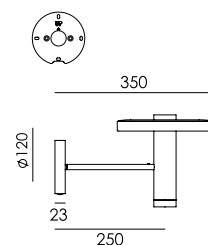
● smokey black 2080

p. 73

led

BEADS Wall 35 uplight install
Anton de Groof, 2018

Material: aluminum & steel
Weight: 1,3 kg
IP 20
Volt: 220-240 V | 13 Watt
Dim to warm 2100K to 3000K
1350 lumen | CRI: 90
Phase cut dimmable



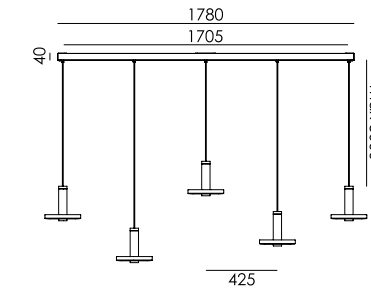
● smokey black 2090

p. 73

led

BEADS Five beads in line
Anton de Groof, 2018

Material: aluminum
Weight: 5 kg
IP 20
Volt: 220-240 V | 13 Watt
Dim to warm 2100K to 3000K
5 x 1350 lumen | CRI: 90
Phase cut dimmable



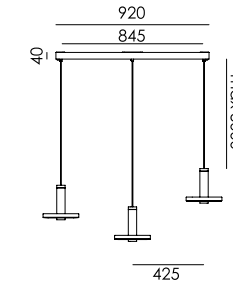
● smokey black 3010

p. 68

led

BEADS Three beads in line
Anton de Groof, 2018

Material: aluminum
Weight: 3 kg
IP 20
Volt: 220-240 V | 13 Watt
Dim to warm 2100K to 3000K
3 x 1350 lumen | CRI: 90
Phase cut dimmable



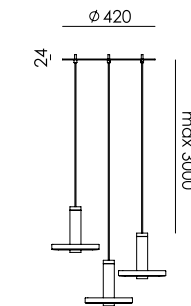
● smokey black 3020

p. 69

led

BEADS Three beads in circle
Anton de Groof, 2018

Material: aluminum
Weight: 3,1 kg
IP 20
Volt: 220-240 V | 13 Watt
Dim to warm 2100K to 3000K
3 x 1350 lumen | CRI: 90
Phase cut dimmable



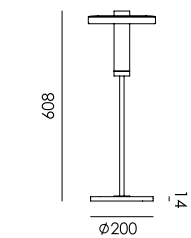
● smokey black 3030

p. 71

led

BEADS Table uplight
Anton de Groof, 2018

Material: aluminum & steel
Weight: 4 kg
IP 20
Volt: 220-240 V | 13 Watt
Dim to warm 2100K to 3000K
1350 lumen | CRI: 90
Dimmable on fixture
Cord length: 2400 mm



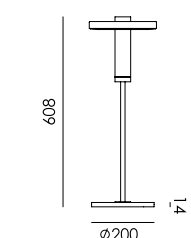
● smokey black 3060

p. 75

led

BEADS Table downlight
Anton de Groof, 2018

Material: aluminum & steel
Weight: 4 kg
IP 20
Volt: 220-240 V | 13 Watt
Dim to warm 2100K to 3000K
1350 lumen | CRI: 90
Dimmable on fixture
Cord length: 2400 mm




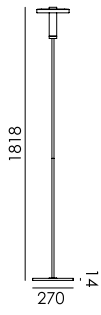
● smokey black 3070

p. 75

led

BEADS Floor uplight
Anton de Groof, 2018

Material: aluminum & steel
Weight: 7,6 kg
IP 20
Volt: 220-240 V | 13 Watt
Dim to warm 2100K to 3000K
1350 lumen | CRI: 90
Dimmer on cord
Cord length: 2100 mm


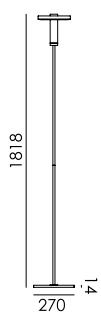
● smokey black 3040

led

p. 75

BEADS Floor downlight
Anton de Groof, 2018

Material: aluminum & steel
Weight: 7,6 kg
IP 20
Volt: 220-240 V | 13 Watt
Dim to warm 2100K to 3000K
1350 lumen | CRI: 90
Cord length: 2100 mm
Dimmer on cord


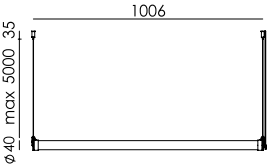
● smokey black 3050

led

p. 75

MR. TUBES LED Pendant horizontal | 2700K | driver separate
Anton de Groof, 2019

Material: aluminum & steel
Weight: 0,8 kg
IP 20
Volt: 220-240 V | 11,2 Watt
1300 lumen | 2700K | CRI: 80
Phase cut dimmable


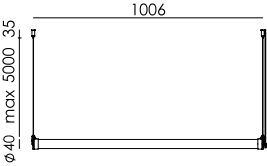
● smokey black with black cords 4000
○ pure white with orange cords 4002

led

p. 81

MR. TUBES LED Pendant horizontal | 4000K | driver separate
Anton de Groof, 2019

Material: aluminum & steel
Weight: 0,8 kg
IP 20
Volt: 220-240 V | 11,2 Watt
1430 lumen | 4000K | CRI: 80
Phase cut dimmable

● smokey black with black cords 4001
○ pure white with orange cords 4003


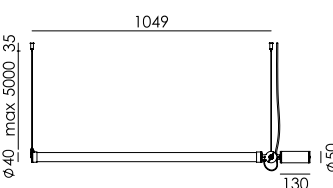
led

p. 81

MR. TUBES LED Pendant horizontal | 2700K | driver on fixture
Anton de Groof, 2019

Material: aluminum & steel
Weight: 1,3 kg
IP 20
Volt: 220-240 V | 11,2 Watt
1300 lumen | 2700K | CRI: 80
Phase cut dimmable

Wingnut solid brass included

● smokey black with black cords 4005
○ pure white with orange cords 4007


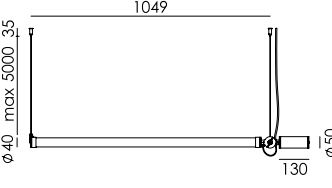
led

p. 81

MR. TUBES LED Pendant horizontal | 4000K | driver on fixture
Anton de Groof, 2019

Material: aluminum & steel
Weight: 1,3 kg
IP 20
Volt: 220-240 V | 11,2 Watt
1430 lumen | 4000K | CRI: 80
Phase cut dimmable

Wingnut solid brass included



● smokey black with black cords 4006
○ pure white with orange cords 4008

led

p. 81

MR. TUBES LED Pendant vertical 700 | 2700K
Anton de Groof, 2019

Material: aluminum & steel
Weight: 0,7 kg
IP 20
Volt: 220-240 V | 7,6 Watt
890 lumen | 2700K | CRI: 80
Phase cut dimmable


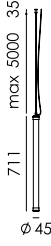
● smokey black with black cords 4010
○ pure white with orange cords 4011

led

p. 80

MR. TUBES LED Pendant vertical 700 | 4000K
Anton de Groof, 2019

Material: aluminum & steel
Weight: 0,7 kg
IP 20
Volt: 220-240 V | 7,6 Watt
980 lumen | 4000K | CRI: 80
Phase cut dimmable



● smokey black with black cords 4012
○ pure white with orange cords 4013

led

p. 80

MR. TUBES LED Pendant vertical 1000 | 2700K
Anton de Groof, 2019

Material: aluminum & steel
Weight: 0,8 kg
IP 20
Volt: 220-240 V | 11,2 Watt
1300 lumen | 2700K | CRI: 80
Phase cut dimmable


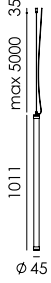
● smokey black with black cords 4014
○ pure white with orange cords 4017

led

p. 80

MR. TUBES LED Pendant vertical 1000 | 4000K
Anton de Groof, 2019

Material: aluminum & steel
Weight: 0,8 kg
IP 20
Volt: 220-240 V | 11,2 Watt
1430 lumen | 4000K | CRI: 80
Phase cut dimmable

● smokey black with black cords 4018
○ pure white with orange cords 4019

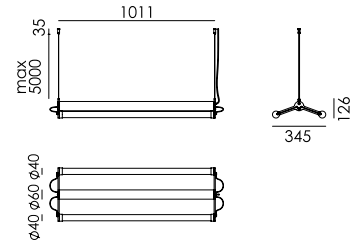
led

p. 80



MR. TUBES LED Double 2700K
Anton de Groof, 2019

Material: aluminum & steel
Weight: 3,9 kg
IP 20
Volt: 220-240 V | 11,2 Watt
2 x 1300 lumen | 2700K | CRI: 80
Phase cut dimmable



- smokey black with black cords 4015
- pure white with orange cords 4020

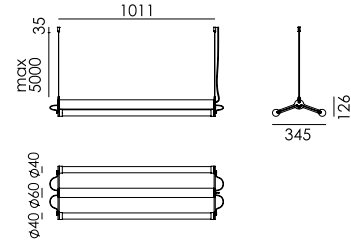
p. 83

led



MR. TUBES LED Double 4000K
Anton de Groof, 2019

Material: aluminum & steel
Weight: 3,9 kg
IP 20
Volt: 220-240 V | 11,2 Watt
2 x 1430 lumen | 4000K | CRI: 80
Phase cut dimmable



- smokey black with black cords 4016
- pure white with orange cords 4021

p. 83

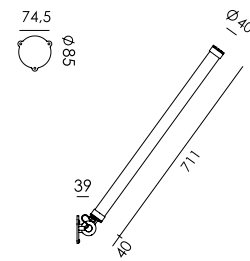
led



MR. TUBES LED Wall driver separate 2700K
Anton de Groof, 2019

Material: aluminum & steel
Weight: 1,1 kg
IP 20 | Volt: 220-240 V | 7,6 Watt
890 lumen | 2700K | CRI: 80
Phase cut dimmable

Wingnut solid brass included



- smokey black with black cords 4035
- pure white with orange cords 4037

p. 85

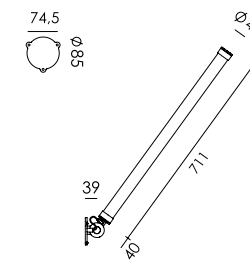
led



MR. TUBES LED Wall driver separate 4000K
Anton de Groof, 2019

Material: aluminum & steel
Weight: 1,1 kg
IP 20 | Volt: 220-240 V | 7,6 Watt
980 lumen | 4000K | CRI: 80
Phase cut dimmable

Wingnut solid brass included



- smokey black with black cords 4036
- pure white with orange cords 4038

p. 85

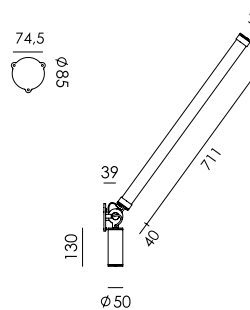
led



MR. TUBES LED Wall driver on fixture 2700K with cord
Anton de Groof, 2019

Material: aluminum & steel
Weight: 1,3 kg
IP 20 | Volt: 220-240 V | 7,6 Watt
890 lumen | 2700K | CRI: 80
Phase cut dimmable
Cord length: 3000 mm

Wingnut solid brass included



- smokey black with black cords 4039
- pure white with orange cords 4041

p. 85

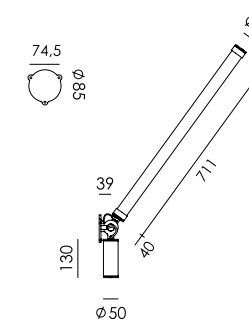
led



MR. TUBES LED Wall driver on fixture 2700K install
Anton de Groof, 2019

Material: aluminum & steel
Weight: 1,3 kg
IP 20 | Volt: 220-240 V | 7,6 Watt
890 lumen | 2700K | CRI: 80
Phase cut dimmable

Wingnut solid brass included



- smokey black with black cords 4031
- pure white with orange cords 4033

p. 85

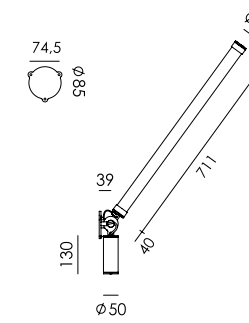
led



MR. TUBES LED Wall driver on fixture 4000K with cord
Anton de Groof, 2019

Material: aluminum & steel
Weight: 1,3 kg
IP 20 | Volt: 220-240 V | 7,6 Watt
980 lumen | 4000K | CRI: 80
Phase cut dimmable
Cord length: 3000 mm

Wingnut solid brass included



- smokey black with black cords 4040
- pure white with orange cords 4042

p. 85

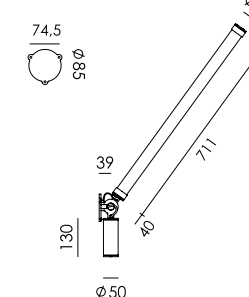
led



MR. TUBES LED Wall driver on fixture 4000K install
Anton de Groof, 2019

Material: aluminum & steel
Weight: 1,3 kg
IP 20 | Volt: 220-240 V | 7,6 Watt
980 lumen | 4000K | CRI: 80
Phase cut dimmable

Wingnut solid brass included



- smokey black with black cords 4043
- pure white with orange cords 4044

p. 85

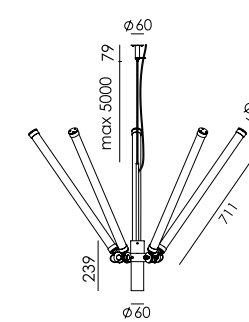
led



MR. TUBES LED Chandelier 2700K
Anton de Groof, 2019

Material: aluminum & steel
Weight: 7,1 kg
IP 20 | Volt: 220-240 V | 7,6 Watt
5 x 890 | 2700K | CRI: 80
Phase cut dimmable
Cord length: max 5000 mm

Wingnut solid brass included



- smokey black with black cords 4045
- pure white with orange cords 4050

p. 87

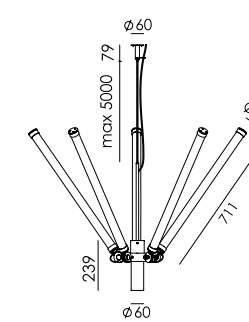
led



MR. TUBES LED Chandelier 4000K
Anton de Groof, 2019

Material: aluminum & steel
Weight: 7,1 kg
IP 20 | Volt: 220-240 V | 7,6 Watt
5 x 980 lumen | 4000K | CRI: 80
Phase cut dimmable
Cord length: max 5000 mm

Wingnut solid brass included



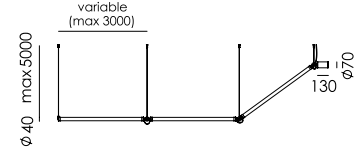
- smokey black with black cords 4046
- pure white with orange cords 4051

p. 87

led

MR. TUBES LED Connect
Anton de Groof, 2019

Material: aluminum & steel
IP 20
Volt: 220-240 V
1300 or 1430 lumen
2700K or 4000K
CRI: 80
Phase cut dimmable



Plan your
Mr. Tubes LED
Connect with us

info@tonone.com

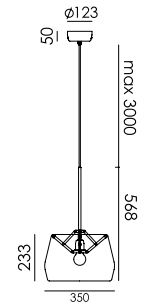
Wingnut solid brass included

led

p. 89

ATLAS D350
Anton de Groof, 2015

Material: brass & hand blown glass
Weight: 4 kg
IP 20
Volt: 220-240 V | Max Watt: 60 Watt
Socket: E27
Cord length: max 3000 mm



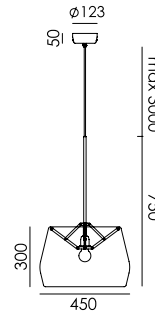
- transparent 1400
- neutral grey 1401



p. 95

ATLAS D450
Anton de Groof, 2015

Material: brass & hand blown glass
Weight: 7,6 kg
IP 20
Volt: 220-240 V | Max Watt: 60 Watt
Socket: E27
Cord length: max 3000 mm



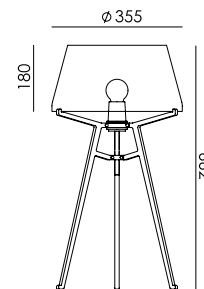
- transparent 1403
- neutral grey 1404



p. 95

ELLA Black
Anton de Groof, 2016

Material: steel & hand blown glass
Weight: 5,1 kg
IP 20
Volt: 220-240 V | Max Watt: 60 Watt
Socket: E27
Cord length: 2800 mm
Dimmer on cord



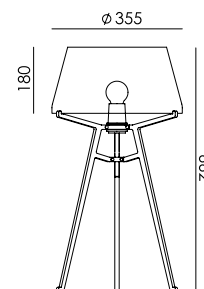
- transparent 1407
- neutral grey 1406



p. 101

ELLA White
Anton de Groof, 2016

Material: steel & hand blown glass
Weight: 5,1 kg
IP 20
Volt: 220-240 V | Max Watt: 60 Watt
Socket: E27
Cord length: 2800 mm
Dimmer on cord



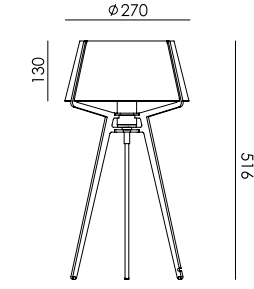
- transparent 1409
- neutral grey 1408



p. 101

BELLA Table
black anodized aluminum fitting
Anton de Groof, 2022

Material: aluminum & steel
Weight: 2,3 kg
IP 20
Volt: 220-240 V | Max Watt: 60 Watt
Socket: E27
Cord length: 2900 mm
Dimmer on cord



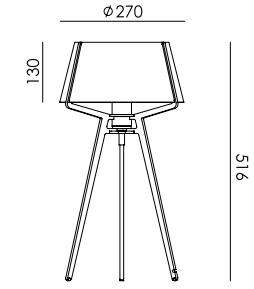
- smokey black 1664
- flux green 1665
- pure white 1666
- midnight grey 1667
- ash grey 1668
- striking orange 1669
- lightning white 1670
- thunder blue 1671
- daybreak rose 1672
- sunny yellow 1673
- ice blue 1674



p. 27

BELLA Table
brass fitting
Anton de Groof, 2022

Material: aluminum, steel & brass
Weight: 2,3 kg
IP 20
Volt: 220-240 V | Max Watt: 60 Watt
Socket: E27
Cord length: 2900 mm
Dimmer on cord



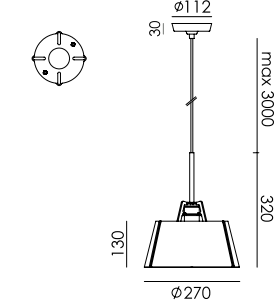
- smokey black 1653
- flux green 1654
- pure white 1655
- midnight grey 1656
- ash grey 1657
- striking orange 1658
- lightning white 1659
- thunder blue 1660
- daybreak rose 1661
- sunny yellow 1662
- ice blue 1663



p. 27

BELLA Pendant
black anodized aluminum fitting
Anton de Groof, 2022

Material: aluminum & steel
Weight: 1 kg
IP 20
Volt: 220-240 V | Max Watt: 60 Watt
Socket: E27
Cord length: 2400 mm



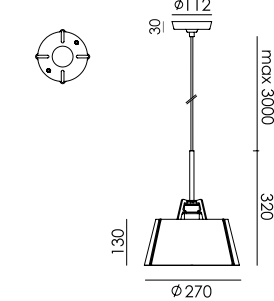
- smokey black 1686
- flux green 1687
- pure white 1688
- midnight grey 1689
- ash grey 1690
- striking orange 1691
- lightning white 1692
- thunder blue 1693
- daybreak rose 1694
- sunny yellow 1695
- ice blue 1696



p. 29

BELLA Pendant
brass fitting
Anton de Groof, 2022

Material: aluminum, steel & brass
Weight: 1 kg
IP 20
Volt: 220-240 V | Max Watt: 60 Watt
Socket: E27
Cord length: 2400 mm



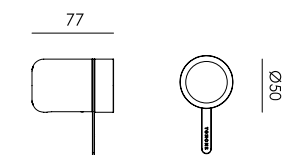
- smokey black 1675
- flux green 1676
- pure white 1677
- midnight grey 1678
- ash grey 1679
- striking orange 1680
- lightning white 1681
- thunder blue 1682
- daybreak rose 1683
- sunny yellow 1684
- ice blue 1685



p. 29

ONE
Anton de Groof, 2022

Material: aluminum & steel
Weight: 0,2 kg
IP 20
Volt: 220-240 V | 2 Watt
2700 K | 245 lumen | CRI: 90
Dimmable on fixture
Battery: 5-30 hours
USB-C charging cable included
Cable length: 500 mm



- smokey black 5000
- fuzzy white 5001
- heavy metal 5002
- fuzzy white with hell orange 5003
- heavy metal with bright yellow 5004

led

p. 13

ONE + Desk
Anton de Groof, 2022

Material: aluminum & steel
Weight: 1,2 kg
IP 20
Volt: 220-240 V | 2 Watt
2700 K | 245 lumen | CRI: 90
Dimmable on fixture
Battery: 5-30 hours
USB-C charging cable + plug included
Cable length: 500 mm & 1500 mm

● smokey black 5035
○ fuzzy white 5036
● heavy metal 5037

p. 15 **led**

ONE Desk fixture
Anton de Groof, 2022

Material: aluminum & steel
Weight: 1 kg

USB-C charging cable + plug included
Cable length: 1500 mm

● smokey black 5015
○ fuzzy white 5016
● heavy metal 5017

p. 15

ONE + Wall
Anton de Groof, 2022

Material: aluminum & steel
Weight: 0,5 kg
IP 20
Volt: 220-240 V | 2 Watt
2700 K | 245 lumen | CRI: 90
Dimmable on fixture
Battery: 5-30 hours
USB-C charging cable included
Cable length: 500 mm

● smokey black 5040
○ fuzzy white 5041
● heavy metal 5042

p. 20 **led**

ONE Wall fixture
Anton de Groof, 2022

Material: aluminum & steel
Weight: 0,25 kg

USB-C charging cable included

● smokey black 5020
○ fuzzy white 5021
● heavy metal 5022

p. 20

ONE + Floor
Anton de Groof, 2022

Material: aluminum & steel
Weight: 1,4 kg
IP 20
Volt: 220-240 V | 2 Watt
2700 K | 245 lumen | CRI: 90
Dimmable on fixture
Battery: 5-30 hours
USB-C charging cable + plug included
Cable length: 500 mm & 2500 mm

● smokey black 5030
○ fuzzy white 5031
● heavy metal 5032

p. 17 **led**

ONE Floor fixture
Anton de Groof, 2022

Material: aluminum & steel
Weight: 1,2 kg

USB-C charging cable + plug included
Cable length: 2500 mm

● smokey black 5010
○ fuzzy white 5011
● heavy metal 5012

p. 17

ONE + Floor straight
Anton de Groof, 2022

Material: aluminum & steel
Weight: 1,4 kg
IP 20
Volt: 220-240 V | 2 Watt
2700 K | 245 lumen | CRI: 90
Dimmable on fixture
Battery: 5-30 hours
USB-C charging cable + plug included
Cable length: 500 mm & 2500 mm

● smokey black 5050
○ fuzzy white 5051
● heavy metal 5052

p. 19

ONE Floor straight fixture
Anton de Groof, 2022

Material: aluminum & steel
Weight: 1,2 kg

USB-C charging cable + plug included
Cable length: 2500 mm

● smokey black 5055
○ fuzzy white 5056
● heavy metal 5057

p. 19

ONE + Knob
Anton de Groof, 2022

Material: aluminum & steel
Weight: 0,3 kg
IP 20
Volt: 220-240 V | 2 Watt
2700 K | 245 lumen | CRI: 90
Dimmable on fixture
Battery: 5-30 hours
USB-C charging cable included
Cable length: 500 mm

● smokey black 5045
○ fuzzy white 5046
● heavy metal 5047

p. 21 **led**

Knob
Anton de Groof, 2022

Material: steel
Weight: 0,08 kg

● smokey black 5025
○ fuzzy white 5026
● heavy metal 5027

p. 21

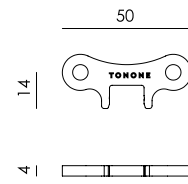


Wingnut

Material: solid brass, copper, stainless steel or black aluminum

Wingnut Solid Brass included with the Bolt Collection and Mr. Tubes LED Pendant horizontal, Wall driver on fixture and Chandelier.

Sold per 10 pieces



● solid brass	1300
● copper	1302
● stainless steel	1303
● black aluminium	1301

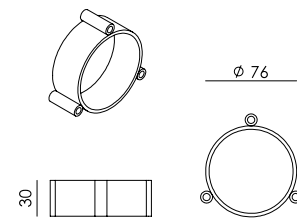


Wall ring

Material: steel

Optional ring for installation of:

- Bolt Wall install
- Bolt Wall small install
- Bolt Wall mini install
- Bolt Wall underfit install
- Bolt Bed sidefit install
- Bolt Bed underfit install
- Mr. Tubes led wall driver separate install
- Mr. Tubes led wall driver on fixture install



● smokey black	1385
● flux green	1386
○ pure white	1387
● midnight grey	1388
● ash grey	1389
● striking orange	1390
● lightning white	1391
● thunder blue	1392
● daybreak rose	1393
● sunny yellow	1394
● ice blue	1650



Special thanks to:

Frank van Delft Photography
Hans Schoenmakers – Spring Design
Wonderwood Fotografie – Laura Westendorp

Bibelotte
Janniene Brouwer – NNN___studio
JM van Delft & ZN
Kirsti Bertrums
LEXSON Fashion Brands
Studio Bovitec
Studio Byfrank
The Unbound
Visserette Polpo

Tonone

Veemarktkade 8 – 6117
5222 AE Den Bosch
The Netherlands
info@tonone.com
www.tonone.com
+31 (0) 85 782 13 33
BTW / VAT NL 8532 13 215 B01
KVK / CH.O.C. 58 86 26 92



copyright © Tonone 2023
All rights reserved



Relax
It's just a
Camp!

