

Price list 2023

[Switzerland]

Recommended Retail Price, EUR excl. local VAT

1st Edition



Index

Intro	page	4
Standard sales and delivery terms and conditions	page	5
Bar Stools		
Primum Bar Stool	page	7
Benches		
Plaited bench	page	8
Chairs		
Asger	page	9
Momento	page	10
Primum Chair	page	11
Primum Chair Dynamic	page	13
Since Chair	page	14
Desks		
Hemingway	page	15
Dining tables & Conference tables		
Meet Table	page	16
Primum Table	page	17
Lounge Chairs		
Asento	page	18
Primum Lounge Chair	page	19
Tension Lounge Chair	page	20
Ottomans & Pouffes		
Marokko	page	21
Otto	page	22
Stool	page	23
Seat Cushions & Full-covers		
Full-cover	page	24
Luxury cushion	page	25
Seat cushions	page	26
Side tables & Lounge tables		
Forma	page	32
Inverse	page	33
Metro	page	34

Index

Sofas

Pado	page	35
Primum Sofa	page	37

Storage

Button-Up	page	38
Hang-Up	page	39
Layer it	page	40
Up The Wall	page	41

Approved materials, Primum series	page	42
------------------------------------------	------	----

Intro

Prices

This price list is applicable from February 1st 2023 and replaces all previous price lists.
All prices are in Euro, free of VAT.

Freight costs

Freight costs to Bent Hansen's registered customer addresses are included in the retail prices if net amount > € 500.
If net amount < € 500: freight cost = € 39.
Delivery to another address on request.

Returned goods

Articles will not be taken back without prior arrangement.

Customer textiles or leather

Customer textiles or leather will not be accepted without prior arrangement.

Misprints might occur.

Bent Hansen a/s

Kaolinvej 1
DK-9220 Aalborg Øst
Telefon: +45 98 13 31 71
Mail: hvid@benthansen.net

CVR: 28656610

www.benthansen.dk

Standard sales and delivery terms and conditions

1. Applicability

1.1. The present standard sales and delivery terms and conditions are applicable for all deliveries from Bent Hansen A/S unless agreed upon otherwise in writing.

2. Offer and order placement

2.1. Offers issued by Bent Hansen A/S are valid for 30 days from the date of the offer. Binding orders are only first entered into when a written order confirmation has been issued by Bent Hansen A/S. In the event of any inconsistencies between the offer and acceptance of an offer, the order confirmation issued by Bent Hansen A/S shall apply.

3. Cancellation of orders

3.1. Purchasers may cancel an order at no charge as long as it has not been placed into production. If the order has been placed into production, then the purchaser is obligated to pay for the order, unless a different agreement is entered into between the purchaser and Bent Hansen A/S.

4. Delivery

4.1. Delivery will occur ex works with respect to the applicable Incoterms. In the event that Bent Hansen A/S cannot deliver on time, due to circumstances that must be deemed to comprise force majeure, then the delivery time will be postponed. Bent Hansen A/S shall in such cases give notification of when delivery may be expected to take place.

4.2. If upon issuance of the order it has been agreed that the purchaser will fetch the delivery itself and the purchaser is unable to carry out the pick-up at the agreed point in time, Bent Hansen A/S will arrange for the delivery to be stored at the purchaser's expense and risk.

4.3. If the purchaser upon notification that the delivery is ready does not consider itself to be in a position to receive the delivery, then Bent Hansen A/S will arrange for the delivery to be stored at the purchaser's expense and risk. Bent Hansen A/S will however invoice the purchaser for the delivery upon the notification that it is ready.

4.4. If the purchaser is itself responsible for fetching the delivery, then the purchaser itself is liable for the freight and the proper packing and cannot in the event of damage during shipping lodge a claim/complaint concerning such against Bent Hansen A/S. If the purchaser has a need for special transport-suitable packaging, then Bent Hansen A/S is able to offer such as against a fee.

4.5. In the event of a delay, Bent Hansen A/S does not, regardless of the cause, have any liability for indirect losses, for example lost earnings, operating losses, consequential damages or expenses.

5. Price and payment

5.1. All prices are specified in Euro excl. VAT.

5.2. The payment terms and conditions are net 8 days unless agreed upon otherwise. For late payments, interest will be added on the outstanding amount due to Bent Hansen A/S at the statutory rate of interest, currently 8.05 % per annum, 30 days from the due date on the invoice, cf. the Danish Late Payments of Commercial Debts Act, section 3, subsection 2, cf. section 5.

5.3. Delays, deficiencies or other claims on the part of the purchaser do not entitle the purchaser to withhold the purchase sum or undertake offsetting, thus the purchaser is obligated to pay the purchase sum as if defect-free delivery had taken place on time, with the purchaser being referred to restitution.

6. Property rights

6.1. Deliveries from Bent Hansen A/S remain the property of Bent Hansen A/S until payment has been made.

7. Responsibility for deficiencies

7.1. The purchaser has the responsibility to immediately examine the delivery upon receiving it.

7.1.1. For visual shipping damages to the content of the delivery, the purchaser must immediately reject the shipment with respect to the carrier "due to transport damage". The purchaser must thereafter contact Bent Hansen A/S, subsequent to which Bent Hansen A/S will send a new item as soon as possible.

7.1.2. For visible shipping damage to the packaging of the delivery, the purchaser must request the carrier to wait for the purchaser's examination of the content of the delivery for shipping damage. If the carrier against expectations will not permit this, then the purchaser may either reject the shipment or note "received with reservation for errors and deficiencies" on the consignment note, if the purchaser assesses that the content could still be in good condition. If the delivery turns out to be damaged, the purchaser must contact Bent Hansen A/S within 2 days.

7.1.3. In the event of hidden shipping damage, the purchaser is obligated to check at the latest 2 days after receipt that the delivery is in order. If the purchaser experiences after 2 days that there is hidden shipping damage to the delivery, then the purchaser must immediately lodge a claim/complaint over such with Bent Hansen A/S.

7.2. In the event of errors or defects, Bent Hansen A/S is obligated and entitled to remedy such, by performing repairs or replacement at the choice of Bent Hansen A/S. Any possible errors and defects do not entitle the purchaser to a reduction in the price and/or cancellation of the agreement.

7.3. If Bent Hansen A/S recognises that errors or defects exist, then the purchaser must return the defective item to Bent Hansen A/S at the purchaser's expense and risk.

7.4. Bent Hansen A/S is not liable for errors or deficiencies that can be attributed to the purchaser itself producing customer material or other things for the delivery.

7.5. Bent Hansen A/S is not liable for errors or defects attributable to natural wear and tear caused by improper use, excessive scratching/scraping/rubbing of objects on a surface, the use of abrasives, or cleaning products, or placing hot or cold objects on surfaces.

7.6. Bent Hansen A/S is not liable for changes in product colour, grain or texture that can be attributed to elapsed time, exposure to natural or artificial light, or direct heat, cold or moisture exposure.

7.7. Bent Hansen A/S is not liable for slight variations in the order's physical appearance compared to visual representations or descriptions provided by catalogues, samples, displays and websites. This applies to variations in colour and texture of wood and leather, for example, insect bites, folds due to the elasticity of the leather, fingermarks, dirt and sheen on dark and/or matt surfaces.

7.8. Bent Hansen A/S is not liable for small variations in the order's dimensions compared to the stated indicative dimensions in visual representations or descriptions that are provided by catalogues, samples, displays and websites.

8. Design and quality requirements for special production

8.1. The following requirements are posed for the purchaser's preparation of the item before processing if the purchaser has delivered the material. Reservations are made for errors and damage that are due to deficient preparation and which might only first appear after the processing.

8.2. If quality requirements are not agreed upon beforehand by referring to a reference item, drawing or other description, then Bent Hansen A/S makes it a precondition that the item be suitable for the agreed processing – including that it is possible to achieve a satisfactory result. If an examination by Bent Hansen A/S shows that the result of the agreed processing is uncertain, Bent Hansen A/S may withdraw from the agreement or demand that the purchaser declare in writing that it recognises and accepts that it will not assert claims for deficiencies against Bent Hansen A/S if the purchaser regardless does not wish the items to be processed as agreed. If in the tender documents both the result requirement as well as the processing method are specified, then the processing method will take precedence in the event of any discrepancies.

9. Product liability

9.1. For product liability, the rules applicable at any point in time under Danish law shall apply. Bent Hansen A/S is however never liable for operating losses, lost earnings, consequential damages or other indirect losses of expenses.

9.2. Bent Hansen is not liable for damage inflicted by the delivery

9.2.1. on third parties, real estate or moveables that arises while the delivery is in the purchaser's possession or resold to a third party.

9.2.2. on products that are produced by the purchaser or on products in which these are used in, or for damage to third parties, real estate or moveables that these products cause in consequence of the item.

9.3. The purchaser shall indemnify Bent Hansen A/S to the extent that liability is imposed on Bent Hansen A/S to third parties for such damage or such losses that Bent Hansen A/S pursuant to the above is not liable for to the purchaser.

9.4. If a third party files a claim against Bent Hansen A/S, then the purchaser is obligated to allow a legal action to be brought against itself in the same court, which addresses the claim for compensation against Bent Hansen A/S.

10. Choice of law and disputes

10.1. Any dispute that might arise between Bent Hansen A/S and the purchaser must be resolved with respect to Danish law and at the court in Aalborg.

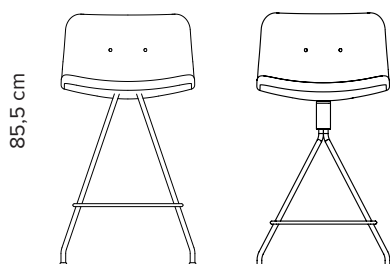
Primum Bar Stool

Design: Bent Hansen Studio

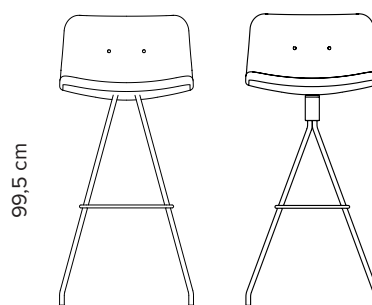
Type	Upholstered bar stool, fixed base
Dimensions Bar Stool Low	H: 85,5 cm, W: 46, D: 48 cm, seat height: 65 cm, seat depth: 38 cm
Dimensions Bar Stool High	H: 99,5 cm, W: 46, D: 49,5 cm, seat height: 79 cm, seat depth: 38 cm
Base	Black powder coated steel or brushed stainless steel.
Glides	Standard without felt. Felt glides available for 9 EUR per set. The customers will have to replace the glides themselves.
Upholstery	High resilience foam
Cover	Not all types of fabric and leather are suitable for Primum Chair. See complete list of approved materials on page 42 and contact us for price.

	Fixed base				Swivel base			
	Black		Stainless		Black		Stainless	
	Low	High	Low	High	Low	High	Low	High
Fabric								
Advantage	704	704	756	756	750	750	808	807
Blazer	737	736	789	788	781	781	840	839
Fiord	782	781	835	834	828	827	885	885
Eros	791	799	848	848	841	841	905	905
Steelcut	873	872	925	924	918	918	976	975
Hallingdal	810	810	862	862	855	855	913	913
Capture	904	903	960	960	953	952	1017	1016
Barnum	767	767	820	820	813	813	871	870
Leather								
Zenzo 2 farve: 207 (black), 223 (cognac)	862	871	916	926	909	918	969	972
Zenzo 2 farve: 211, 231, 286, 293, 295	1033	1044	1097	1109	1089	1099	1160	1164
Adrian	948	957	1000	1010	993	1002	1051	1055
Davos	1067	1076	1135	1145	1128	1137	1189	1192
Surcharge								
Felt glides	9	9	9	9	9	9	9	9
Buttons in other colours	87	87	87	87	87	87	87	87

Primum Bar Stool Low



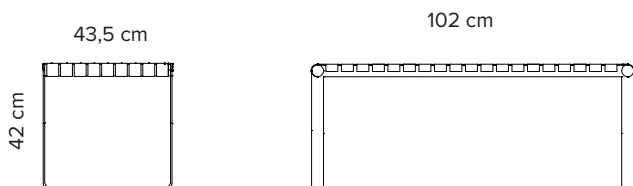
Primum Bar Stool High



Type	Bench
Dimensions	H: 42 cm, W: 43,5 cm, L: 102 cm. Other lengths on request.
Webbing	Black nylon or grain leather in black or nature
Frame	Black powder coated steel

Black nylon	912
Grain leather / black	1515
Grain leather / nature	1515

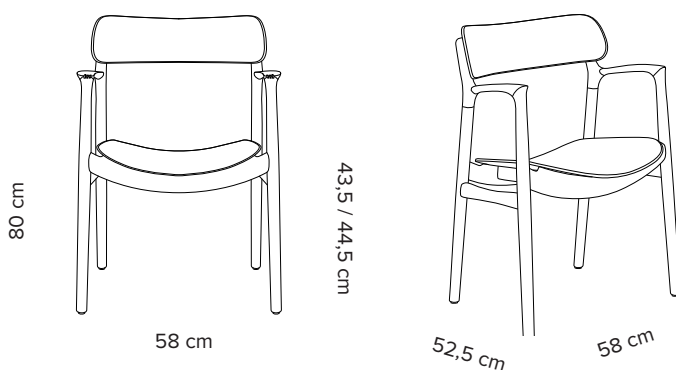
Plaited



Type	Wooden chair
Dimensions	H: 80 cm, W: 58 cm, D: 52,5 cm Seat height, wooden seat: 43,5 cm Seat height, upholstered seat: 44,5 cm Seat depth: 46 cm Seat width: 46 cm Arm rest height: 69 cm (measured 18 cm from front edge)
Material	Oak, oiled
Glides	Standard with felt
Upholstery	10 mm 50 kg high resilience foam
Cover	See selection below. Please, contact us for special requests.

Wooden seat	
Oak, oiled	749
Upholstered seat, fabric	
Kjellerup Væveri: Vils 22-100/110 Kjellerup Væveri: Vils 22-140/112 Kjellerup Væveri: Vils 22-100/151 Kjellerup Væveri: Langeland nord F, 30-999/355	844
Upholstered seat, leather	
Zenso 2	861
Adrian	887
Davos Ranchero, colour: Dark-Grey, Whisky, Nuss, Kastanie, Kakao, Schwarz	905

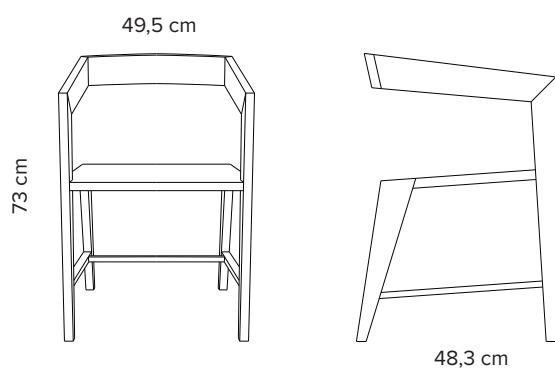
Asger



Type	Wooden chair
Dimensions	H: 73 cm, W: 49,5 cm, D: 48,3 cm Seat height: 43,5 cm Seat depth: 43,6 cm Seat width: 49 cm Arm rest height: 69 cm (measured 18 cm from front edge)
Variants	Oiled oak Walnut Black painted beech
Glides	With or without felt (both type of glides are included)

Black painted beech	540
Oiled oak	604
Walnut	751

Momento



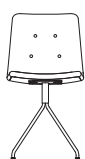
Primum Chair fixed base and swivel base

Design: Bent Hansen Studio

Type	Upholstered dining chair with or without arms
Dimensions	Dimensions depend on model. See below.
Base	Fixed base, regular base, swivel base or base w/ castors: black powder coated steel or brushed stainless steel. Regular base also available as stackable (max 6 chairs) - requires a protective foam block, see surcharge.
Glides	Standard without felt. Felt glides available for 9 EUR per set. The customers will have to replace the glides themselves.
Upholstery	High resilience foam
Cover	Not all types of fabric and leather are suitable for Primum Chair. See complete list of approved materials on page 42 and contact us for price.

	Fixed base				Swivel base			
	w/o armrest		w/ armrest		w/o armrest		w/ armrest	
	black	stainless	black	stainless	black	stainless	black	stainless
Fabric								
Advantage	577	612	741	777	672	752	847	916
Blazer	617	652	787	822	712	792	881	962
Fiord	675	710	851	886	770	850	951	1026
Eros	646	684	793	835	809	861	987	1063
Steelcut	789	824	978	1013	883	964	1072	1153
Hallingdal	711	745	890	925	805	886	984	1065
Capture	732	767	915	949	847	907	1009	1090
Barnum	657	692	831	866	751	832	926	1006
Leather								
Zenzo 2 colour: 207 (black), 223 (cognac)	692	727	880	916	786	867	975	1055
Zenzo 2 colour: 211, 231, 286, 293, 295	851	877	1007	1104	958	1002	1212	1273
Adrian	803	838	1005	1040	898	978	1100	1180
Davos	895	930	1109	1144	990	1070	1182	1284
Surcharge								
Felt glides	9	9	9	9	9	9	9	9
Buttons in other colours	87	87	87	87	87	87	87	87

Primum Chair, fixed base



H: 80 cm
D: 54 cm
Seat height: 45 cm
Seat depth: 44 cm
Seat width: 44 cm
Base width: 36 cm



H: 80 cm
D: 54 cm
Seat height: 45 cm
Seat depth: 44 cm
Seat width: 44 cm
Base width: 36 cm
Arm rest height: 69 cm
Arm rest to arm rest: 56 cm

Primum Chair, swivel base



H: 80 cm
D: 54 cm
Seat height: 45 cm
Seat depth: 44 cm
Seat width: 44 cm
Base width: 45 cm



H: 80 cm
D: 54 cm
Seat height: 45 cm
Seat depth: 44 cm
Seat width: 44 cm
Base width: 45 cm
Arm rest height: 69 cm
Arm rest to arm rest: 56 cm

See prices on Primum Chair regular base and wheel base on next page.

Primum Chair base w/ castors and regular base

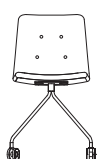
Design: Bent Hansen Studio

Type	Upholstered dining chair with or without arms
Dimensions	Dimensions depend on model. See below.
Base	Fixed base, regular base, swivel base or base w/ castors: black powder coated steel or brushed stainless steel. Regular base also available as stackable (max 6 chairs) - requires a protective foam block, see surcharge.
Glides	Standard without felt. Felt glides available for 9 EUR per set. The customers will have to replace the glides themselves.
Upholstery	High resilience foam
Cover	Not all types of fabric and leather are suitable for Primum Chair. See complete list of approved materials on page 42 and contact us for price.

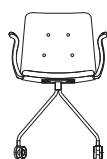
	Base w/ castors (not as swivel chair)				Regular base			
	w/o armrest		w/ armrest		w/o armrest		w/ armrest	
	Black	Stainless	Black	Stainless	Black	Stainless	Black	Stainless
Fabric								
Advantage	621	708	786	873	595	650	760	815
Blazer	662	749	831	918	635	691	805	861
Fiord	738	812	923	1001	694	749	869	925
Eros	769	844	965	1030	741	788	885	953
Steelcut	834	920	1022	1109	807	863	996	1052
Hallingdal	754	833	940	1022	728	784	908	964
Capture	786	863	1006	1072	750	805	932	988
Barnum	701	788	875	962	675	730	849	904
Leather								
Zenzo 2 colour: 207 (black), 223 (cognac)	736	823	925	1011	710	789	899	954
Zenzo 2 colour: 211, 231, 286, 293, 295	897	977	1150	1201	897	995	1073	1174
Adrian	847	934	1049	1137	821	892	1093	1212
Davos	940	1040	1153	1241	960	1048	1197	1242
Surcharge								
Felt glides	9	9	9	9	9	9	9	9
Buttons in other colours	87	87	87	87	87	87	87	87
Foam block for regular base					77	77	77	77

Should be mounted on the chair to protect the padding when stacking. Pressure marks when stacking on own responsibility.

Primum Chair, base w/ castors

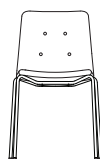


H: 80 cm
D: 57,5 cm
Seat height: 46 cm
Seat depth: 44 cm
Seat width: 44 cm
Base width: 46 cm

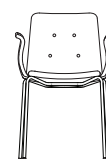


H: 80 cm
D: 57,5 cm
Seat height: 46 cm
Seat depth: 44 cm
Seat width: 44 cm
Base width: 46 cm
Arm rest height: 69 cm
Arm rest to arm rest: 56 cm

Primum Chair, regular base



H: 80 cm
D: 57 cm
Seat height: 45 cm
Seat depth: 44 cm
Seat width: 44 cm
Base width: 49 cm



H: 80 cm
D: 57 cm
Seat height: 45 cm
Seat depth: 44 cm
Seat width: 44 cm
Base width: 49 cm
Arm rest height: 69 cm
Arm rest to arm rest: 56 cm

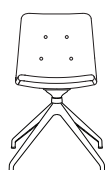
NEW // Primum Chair Dynamic

Design: Bent Hansen Studio

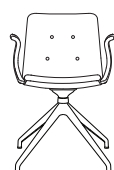
Typ	Upholstered dining chair with or without arms
Dimensions	Dimensions depend on model. See below.
Base	Swivel frame with return swivel and tilt. Black textured lacquered aluminum or with polished aluminum.
Glides	Standard without felt. Felt glides available for 9 EUR per set. The customers will have to replace the glides themselves.
Upholstery	High resilience foam
Cover	Not all types of fabric and leather are suitable for Primum Chair. See complete list of approved materials on page 42 and contact us for price.

	Dynamic base				Dynamic base w. castors			
	w/o armrest		w/ armrest		w/o armrest		w/ armrest	
	Black	polish	Black	polish	Black	polish	Black	polish
Fabric								
Advantage	811	849	976	1014	891	875	1056	1040
Blazer	851	889	1021	1058	932	916	1101	1085
Fiord	909	947	1085	1123	990	973	1165	1149
Eros	902	938	1062	1135	904	983	1107	1163
Steelcut	1024	1061	1212	1250	1104	1087	1292	1276
Hallingdal	944	982	1124	1162	1025	1008	1204	1188
Capture	966	1004	1148	1186	1046	1030	1228	1213
Barnum	891	929	1065	1103	971	955	1145	1129
Leather								
Zenso 2 farve: 207 (sort), 223 (cognac)	893	930	1081	1119	979	963	1168	1151
Zenso 2 farve: 211, 231, 286, 293, 295	1038	1082	1287	1350	1031	1117	1292	1338
Adrian	1004	1042	1206	1244	1090	1074	1293	1277
Davos	1097	1148	1310	1348	1183	1174	1397	1381
Surcharge								
Felt glides	9	9	9	9				
Buttons in other colours	87	87	87	87	87	87	87	87

Primum Chair, dynamic base

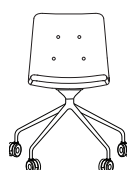


H: 81 cm
D: 53,5 cm
Seat height: 46 cm
Seat depth: 44 cm
Seat width: 44 cm
Base width: 49,5 cm

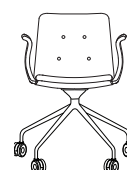


H: 81 cm
D: 53,5 cm
Seat height: 46 cm
Seat depth: 44 cm
Seat width: 44 cm
Base width: 49,5 cm
Arm rest height: 69 cm
Arm rest to arm rest: 56 cm

Primum Chair, dynamic base w. castors



H: 81 cm
D: 60,5 cm
Seat height: 46 cm
Seat depth: 44 cm
Seat width: 44 cm
Base width: 52 cm



H: 81 cm
D: 60,5 cm
Seat height: 46 cm
Seat depth: 44 cm
Seat width: 44 cm
Base width: 52 cm
Arm rest height: 69 cm
Arm rest to arm rest: 56 cm

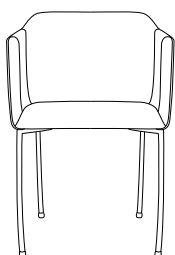
Since Chair

Design: Bent Hansen Studio

Type	Upholstered chair with armrest
Dimensions	Dimensions depend on model. See below.
Base	Fixed base. Black powder coated aluminum Swivel base. Black textured coated aluminum or polished aluminum Swivel base w/ castors. Black textured coated aluminum or polished aluminum
Glides	Standard without felt. Felt glides available for 9 EUR per set. The customers will have to replace the glides themselves.
Tilt	Standard on swivel base and swivel base w/ castors
Upholstery	Molded shell
Cover	Not all types of leather or fabric are suitable for Since Chair. Please contact us for special requests.

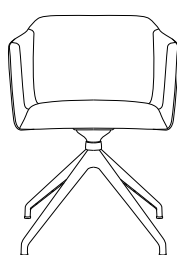
	Fixed base		Swivel base		Swivel base w/ castors		Swivel base w/ return		Swivel base w/ castors and return	
	Black	Black	Polish	Black	Polish	Black	Polish	Black	Polish	
Fabric										
Advantage	574	661	697	772	805	785	810	825	866	
Blazer	638	729	765	838	869	844	878	885	931	
Fiord	725	813	847	918	961	931	963	974	1011	
Eros	773	815	847	919	959	932	963	1017	1014	
Steelcut	803	894	931	1006	1044	1183	1046	1058	1094	
Hallingdal	763	854	887	959	1002	971	1008	1017	1052	
Capture	820	919	954	1036	1065	1027	875	1088	1125	
Leather										
Zenzo 2 Colour: 207 (black), 223 (cognac)	727	810	849	926	958	934	964	976	1015	
Zenzo 2 Colour: 211, 231, 286, 293, 295	1003	1092	1131	1203	1240	1207	1248	1256	1295	
Adrian	859	979	1019	1090	1127	1097	1133	1144	1183	
Davos	1044	1137	1171	1191	1227	1183	1208	1231	1249	
Surcharge										
Glides with felt	9	9	9			9	9			

Fixed base



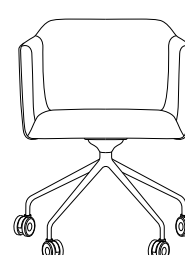
H: 74,5 cm
D: 52 cm
Seat height: 46 cm
Seat depth: 40 cm
Seat width: 43 cm
Base width: 48 cm
Armrest height*: 69 cm
*measured 18 cm from front edge

Swivel base



H: 74,5 cm
D: 50 cm
Seat height: 46 cm
Seat depth: 40 cm
Seat width: 43 cm
Base width: 49,5 cm
Armrest height*: 69 cm
*measured 18 cm from front edge

Swivel base w/ castors

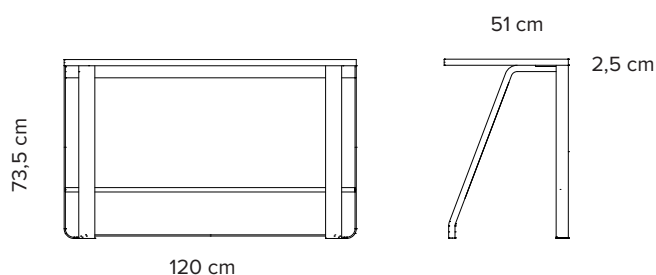


H: 74,5 cm
D: 57 cm
Seat height: 46 cm
Seat depth: 40 cm
Seat width: 43 cm
Base width: 52 cm
Armrest height*: 69 cm
*measured 18 cm from front edge

Type	Desk
Dimensions	H: 73,5 cm, L: 120 cm, W: 51 cm, tabletop thickness: 2,5 cm.
Legs	Matt lacquered oak or matt black lacquered beech legs
Steel trestle	Black powder coat
Table top edge	The edge of the table top matches the colour of the legs. Legs in matt lacquered oak = table top edge in oak. Legs in black lacquered beech = table top edge in black.

	Matt lacquered oak legs	Matt black lacquered beech legs
Table top		
Oak veneer (matt lacquered)	974	
Black linoleum	874	853
Smokey blue linoleum	969	853
Conifer green linoleum	874	853
Table top w. power socket incl. USB-A/USB-C		
Oak veneer (matt lacquered)	1105	
Black linoleum	986	955
Smokey blue linoleum	1105	986
Conifer green linoleum	986	986
Table top w. drawer		
Oak veneer (matt lacquered)	1104	
Black linoleum	1004	983
Smokey blue linoleum	1099	983
Conifer green linoleum	1004	983
Table top w. power socket incl. USB-A/USB-C and drawer		
Oak veneer (matt lacquered)	1236	
Black linoleum	1116	1085
Smokey blue linoleum	1236	1116
Conifer green linoleum	1116	1116

Hemingway



Meet Table

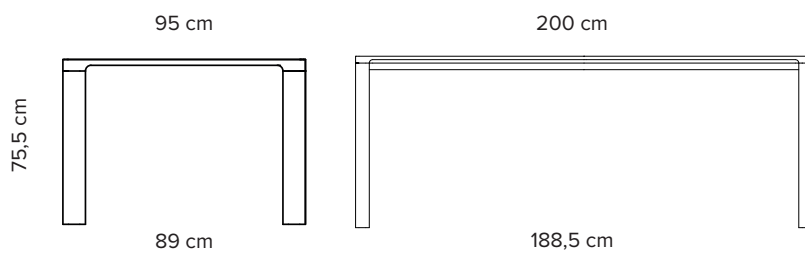
Design: Says Who

Type	Table
Dimensions	H: 75,5 cm, L: 200 cm, W: 95 cm, table top: 1,5 cm Distance from floor to frame: 69,5 cm Distance between table legs (floor level): 188,5 cm / 89 cm
Table top	Black laminate on MDF board with oiled, solid oak edges
Legs	Black textured coated steel

Black laminate with oak edges

2510

Meet Table



Primum Table

Design: Bent Hansen Studio

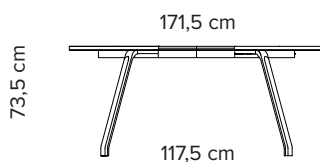
Type	Extension table
Dimensions	H: 73,5 cm, diameter 120 cm, extension leaf: 51,5 cm, table top: 3cm Distance between table legs (floor level), 0 extension leaves: 66 cm / 66 cm Distance between table legs (floor level), 1 extension leaf: 117,5 cm / 66 cm Distance between table legs (floor level), 2 extension leaves: 169 cm / 66 cm
Table top	Oak veneer (matt lacquered oak) Walnut veneer Black linoleum with oak edge
Extension leaves	Black linoleum (max 2 leaves)
Table legs	Black powder coated steel, brushed stainless steel, matt lacquered oak or matt black lacquered beech

	Table top in oak veneer	Table top in black linoleum	Table top in walnut veneer
Table legs			
Black powder coated steel	1793	1528	1885
Brushed stainless steel	1992	1637	2084
Matt lacquered oak	1859	1597	
Matt black lacquered beech	1859	1597	1950
Surcharge			
Extension leaves in black linoleum			425

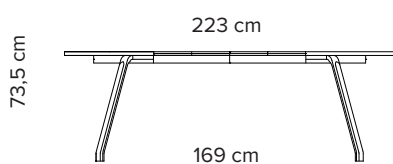
Primum Table, 0 extension leaves



Primum Table, 1 extension leaf



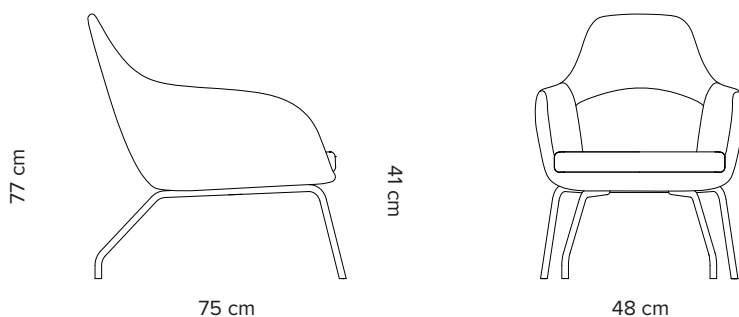
Primum Table, 2 extension leaves



Type	Lounge chair
Dimensions	H: 77 cm, W: 48 cm, D: 75 cm Seat height: 41 cm Seat depth: 46 cm
Legs	Black powder coated steel or brushed stainless steel
Upholstery	Cast MDI. Down top seat. Super-soft foam as lower back support.
Cover	Not all types of leather or fabric are suitable for Asepto. Please, contact us for special requests.

	Black powder coated legs	Brushed stainless legs
Fabric		
Advantage	2009	2047
Blazer	2083	2121
Fiord	2201	2240
Steelcut	2260	2296
Hallingdal	2265	2319
Barnum	2374	2416
Leather		
Zenso 2	2482	2538
Adrian	2671	2711
Davos Ranchero, colour: Dark-Grey, Whisky, Nuss, Kastanie, Kakao, Schwarz	3036	3073

Asepto



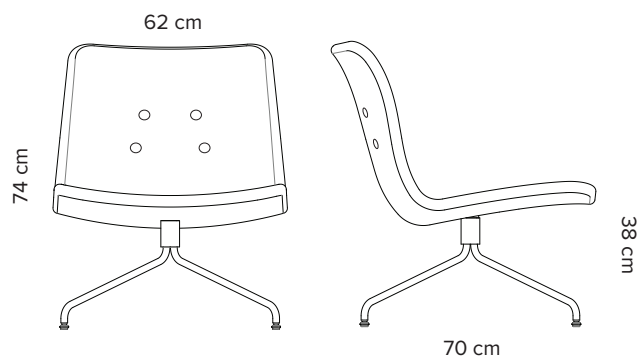
Primum Lounge Chair

Design: Bent Hansen Studio

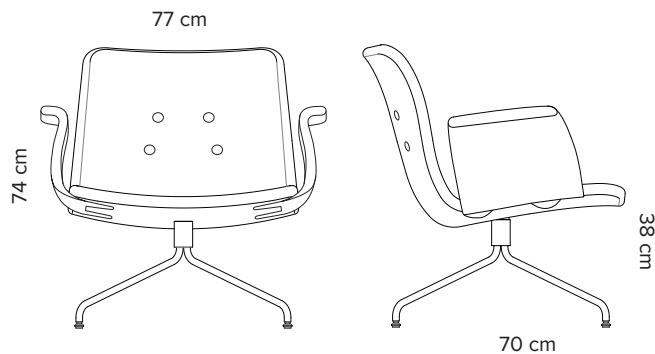
Type	Upholstered lounge chair with swivel base
Dimensions	H: 74 cm, D: 70 cm, W: 62 cm (without arm rest), W: 77 cm: (with arm rest) Seat height: 38 cm, Seat depth: 55 cm, Seat width: 62 cm, Base width: 60 cm
Base	Black powder coated steel or brushed stainless steel.
Glides	Standard without felt. Felt glides available for 9 EUR per set. The customers will have to replace the glides themselves.
Upholstery	High resilience foam
Cover	Not all types of fabric and leather are suitable for Primum Lounge Chair. See complete list of approved materials on page 42 and contact us for price.

	w/o armrest		w/ armrest	
	Black legs	Brushed stainless legs	Black legs	Brushed stainless legs
Fabric				
Advantage	1085	1126	1395	1444
Blazer	1141	1159	1476	1525
Fiord	1225	1294	1593	1641
Tonus	1365	1411	1676	1721
Hallingdal	1308	1354	1614	1711
Capture	1345	1392	1737	1807
Barnum	1179	1224	1464	1510
Leather				
Zenzo 2 colour: 207 (black), 223 (cognac)	1348	1378	1852	1935
Zenzo 2 colour: 211, 231, 286, 293, 295	1695	1754	2058	2115
Adrian	1546	1593	2164	2265
Davos	1725	1772	2303	2476
Surcharge				
Felt glides	9	9	9	9
Buttons in other colours	87	87	87	87

Primum Lounge Chair



Primum Lounge Chair w/ armrest



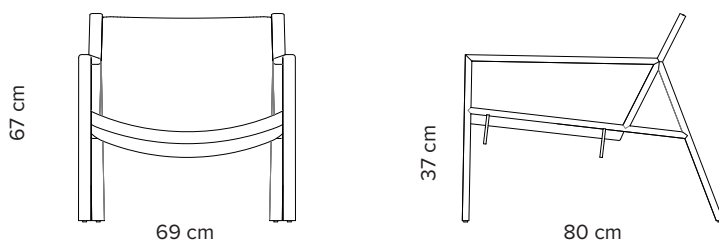
Tension Lounge Chair

Design: Says Who

Type	Lounge chair
Dimensions	H: 67 cm, L: 80 cm, W: 69 cm, seat height: 37 cm
Cover	Grain leather, nature or black
Legs	Black textured coated steel
Glides	Not suitable for wooden floors. Glides suitable for wooden floors on request.

Nature	2431
Black	2431

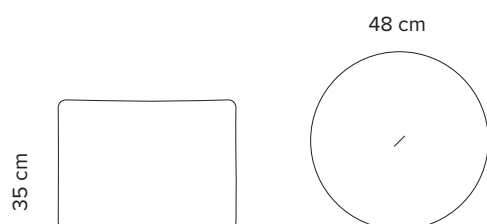
Tension Lounge Chair



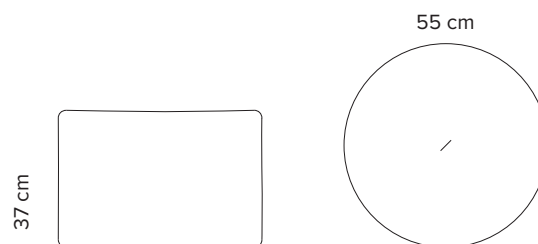
Type	Round pouffe with a small rubber band mounted on the top
Variants	M48: H: 35 cm, diameter 48 cm M55: H: 37 cm, diameter 55 cm
Filling	PU foam (Polyurethane)
Cover	Not all types of fabric or leather are suitable for Marokko. Please, contact us for special requests.

	M48	M55
Fabric		
Advantage	290	308
Blazer	331	352
Fiord	353	377
Barnum	335	517
Hallingdal	403	432
Tiger Mountain	558	603
Leather		
Zenso 2 colour: 207 (black)	275	327
Zenso 2 colour: 211, 223, 231, 286, 293, 295	540	589
Adrian	625	692
Davos Ranchero colour: Dark-Grey, Whisky, Nuss, Kastanie, Kakao, Schwarz	872	962
Surcharge		
Button diameter 4 cm in same colour and material	35	35

M48



M55



Type	Square pouffe with a small rubber band mounted on the top
Dimensions	40 cm x 40 cm x 40 cm
Filling	PU foam (Polyurethane)
Cover	Not all types of fabric or leather are suitable for Otto. Please contact us for special requests.

Fabric

Advantage	247
Blazer	283
Fiord	307
Barnum	287
Hallingdal	348
Tiger Mountain	488

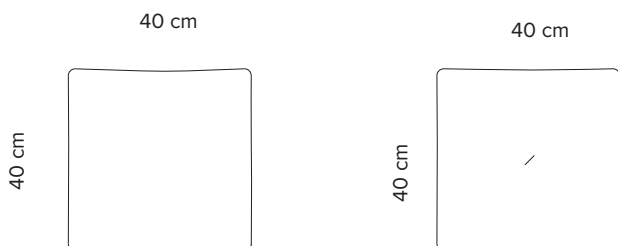
Leather

Zenso 2 colour: 207 (black)	244
Zenso 2 colour: 211, 223, 231, 286, 293, 295	351
Adrian	379
Davos Ranchero colour: Dark-Grey, Whisky, Nuss, Kastanie, Kakao, Schwarz	501

Surcharge

Button diameter 4 cm in same colour and material	35
--------------------------------------------------	----

Otto



Stool

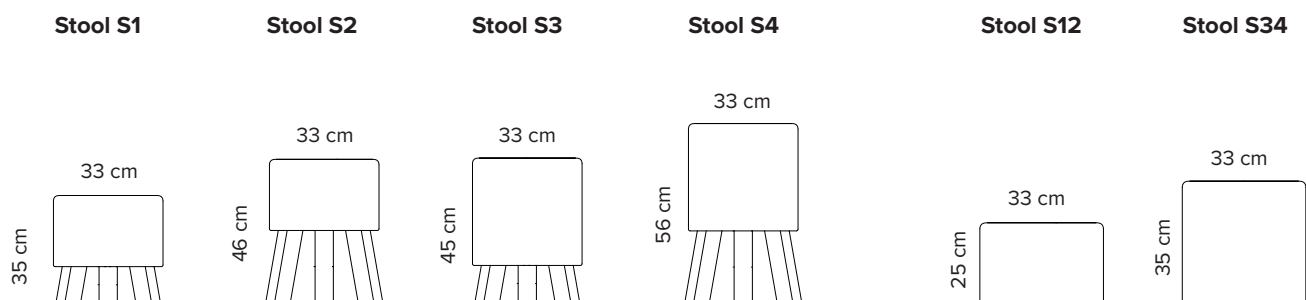
Design: Anne Boysen

Type	Stool
Variants with oak legs	S1, S2, S3, S4
Variants with gliders	S12, S34
Upholstery	CMHR foam
Cover	Available in fabric or leather Not all types of fabric or leather are suitable for Stool. Please contact us for special requests.
Legs	Soap treated oak

	S1	S2	S3	S4	S12	S34
Fabric						
Advantage	360	388	367	400	265	281
Blazer	367	384	399	416	279	302
Fiord	396	416	426	446	301	330
Steelcut	410	430	442	462	311	342
Hallingdal	409	429	440	461	311	344
Leather						
Zenzo 2	525	544	595	614	439	513
Adrian	574	593	656	684	491	585
Davos Ranchero*	644	661	737	770	565	675

*colour: Dark-Grey, Whisky, Nuss, Kastanie, Kakao, Schwarz

Do you want Stool in another material than the ones listed above? Please contact us for quote.



Full-cover

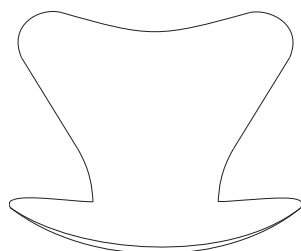
Design: Bent Hansen Studio

Type	Full-cover with 20 mm high resilience foam or cotton wool core depending on model
Variants	Available in fabric or leather
Models	Available for the chairs listed below:

Manufacturer	Model
Arper	Catifa 46
Fritz Hansen	3101 - on request
	3107
	Vico Duo
Vitra	DSR

Fabric	
Advantage	253
Blazer	293
Fiord	316
Steelcut	442
Hallingdal	365
Leather	
Zenso 2 black	(only for 3107) 208
Zenso 2 other colours	367
Adrian	437
Davos Ranchero colour: Dark-Grey, Whisky, Nuss, Kastanie, Kakao, Schwarz	545

Full-cover 3107



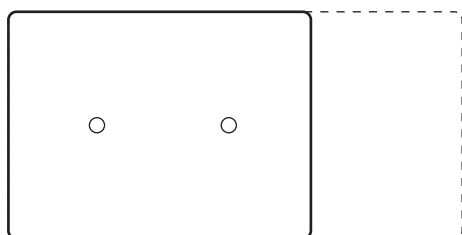
Luxury cushion

Design: Bent Hansen Studio

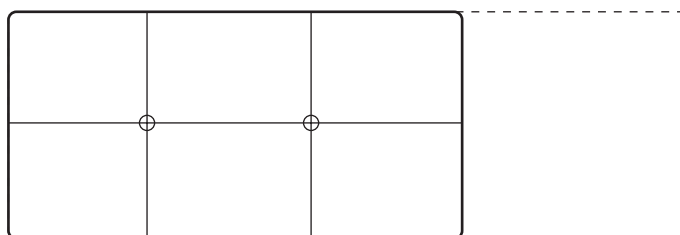
Type Cushions in fabric or leather. 40 mm high resilience foam core.
 Variants With or without buttons and squares*
 Models The cushions can be made according to your specifications

	Fabric					Leather			
	Advantage	Blazer	Fiord	Steelcut	Hallingdal	Zenzo 2 Colour: 207 (black)	Zenzo 2 Colour: 211, 233, 231, 286, 293, 295	Adrian	Davos Ranchero Colour: Dark-Grey, Whisky, Nuss, Kastanie, Kakao, Schwarz
Cm:									
40 x 40 - 60	339	365	403	425	428	393	418	458	528
40 x 61 - 80	423	445	474	495	496	502	536	581	676
40 x 81 - 100	488	512	549	566	569	588	629	684	798
40 x 101 - 120	567	587	623	642	646	689	734	803	934
40 x 121 - 140	616	675	762	808	811	723	780	862	1006
40 x 141 - 160	732	795	896	944	951	850	914	1008	1177
40 x 161 - 180	760	830	945	1000	1008	892	965	1067	1252
40 x 181 - 200	911	990	1116	1183	1183	1056	1142	1244	1487
40 x 201 - 220	982	1075	1213	1279	1287	1147	1233	1352	1588
40 x 221 - 240	1015	1109	1262	1332	1344	1189	1284	1419	1661
60 x 41 - 60	387	412	451	471	476	474	513	564	661
60 x 61 - 80	446	479	530	555	563	555	602	668	792
60 x 81 - 100	503	532	577	601	604	650	711	786	943
60 x 101 - 120	546	579	633	658	664	719	792	884	1068
60 x 121 - 140	626	686	775	818	823	805	884	994	1207
60 x 141 - 160	744	807	909	961	963	942	1037	1157	1396
60 x 161 - 180	818	888	1002	1063	1063	1038	1144	1277	1545
60 x 181 - 200	896	980	1106	1166	1174	1144	1254	1409	1694
60 x 201 - 220	980	1065	1210	1276	1285	1251	1379	1540	1864
60 x 221 - 240	1053	1154	1303	1377	1384	1346	1486	1660	2013
Surcharge*									
Squares	30% of the cushion's price								
Buttons	incl. in price								

Do you want your cushions in another material? Please, contact us for quote.



With or without buttons



With or without squares

Cushions - see prices p. 31

Page 26-30 show which cushions are available for your chair. Is your chair not on the list, we can custom make a cushion for you. A one-of surcharge for the model work will be charged.

Model	Manufacturer	Cushions in stock	Custom-made cushions		
		only for selected models	8 mm thick	17 mm thick	30 mm thick
2D	Gubi		Price gr. C	Price gr. D	
3D	Andersen		Price gr. C	Price gr. D	
4-Cast Line	Four Design		Price gr. C	Price gr. D	
13eighty Chair	Hay		Price gr. C	Price gr. D	
40/4	Howe		Price gr. C	Price gr. D	
3101	Fritz Hansen	Price gr. A	Price gr. C	Price gr. D	
3107	Fritz Hansen	Price gr. A	Price gr. C	Price gr. D	
3107 Junior	Fritz Hansen		Price gr. C	Price gr. D	
3108	Fritz Hansen		Price gr. C	Price gr. D	
3110	Fritz Hansen	Price gr. A	Price gr. C	Price gr. D	Price gr. E
AAC12	Hay		Price gr. C	Price gr. D	
AAC22	Hay	Price gr. A	Price gr. C	Price gr. D	
AAS32	Hay		Price gr. C	Price gr. D	
AAVA	Arper		Price gr. C	Price gr. D	
Acapulco	Officina Kreativa				Price gr. E
Agitari	Fredericia		Price gr. C	Price gr. D	
Arco	Vizion Furniture		Price gr. C	Price gr. D	
Avanti	Danerka		Price gr. C	Price gr. D	
Babila 2755	Pedrali		Price gr. C	Price gr. D	
Beetle Chair	Gubi		Price gr. C	Price gr. D	
Belleville	Vitra		Price gr. C	Price gr. D	
Bilbao	Bernstoffsminde		Price gr. C	Price gr. D	Price gr. E
BM 1	Bernstoffsminde				Price gr. E
BM 2	Bernstoffsminde				Price gr. F
BM 400 Kirkestol	Bernstoffsminde				Price gr. E
BM 460 Kirkestol m. arm	Bernstoffsminde				Price gr. E
BM 61	Bernstoffsminde				
BM 86	Bernstoffsminde				Price gr. E
BM 87	Bernstoffsminde				Price gr. E
Bonn	Tangsø		Price gr. C	Price gr. D	
Campus	Lammhults		Price gr. C	Price gr. D	
Catifa 46	Arper		Price gr. C	Price gr. D	
Catifa 53	Arper		Price gr. C	Price gr. D	
CH 18A	Carl Hansen				Price gr. F
CH 22	Carl Hansen				Price gr. F
CH 23	Carl Hansen				Price gr. E
CH 24	Carl Hansen	Price gr. B	Price gr. C	Price gr. D	Price gr. E
CH 25	Carl Hansen				Price gr. E
CH 26	Carl Hansen				Price gr. E
CH 28	Carl Hansen		Price gr. C	Price gr. D	Price gr. F
CH 29	Carl Hansen		Price gr. C	Price gr. D	Price gr. E
CH 33	Carl Hansen		Price gr. C	Price gr. D	

Cushions - see prices p. 31

Page 26-30 show which cushions are available for your chair. Is your chair not on the list, we can custom make a cushion for you. A one-of surcharge for the model work will be charged.

Model	Manufacturer	Cushions in stock	Custom-made cushions		
		only for selected models	8 mm thick	17 mm thick	30 mm thick
CH 36	Carl Hansen				Price gr. F
CH 37	Carl Hansen				Price gr. E
CH 44	Carl Hansen	Contact us for quote			
CH 46	Carl Hansen				Price gr. E
CH 47	Carl Hansen				Price gr. E
CH 53	Carl Hansen				Price gr. E
CH 88	Carl Hansen		Price gr. C	Price gr. D	
Chair 69	Artek		Price gr. C	Price gr. D	
Chair First	Magis		Price gr. C	Price gr. D	
Chair One	Magis		Price gr. C	Price gr. D	
Chairik	Engelbrecht		Price gr. C	Price gr. D	
Cirkum	Radius		Price gr. C	Price gr. D	
Classic	Danerka		Price gr. C	Price gr. D	
Cobra	Kallemoe		Price gr. C	Price gr. D	
Componibili Ø30	Kartell		Price gr. C	Price gr. D	
Componibili Ø40	Kartell		Price gr. C	Price gr. D	
Copenhagen Chair	Hay		Price gr. C	Price gr. D	
Cyborg	Magis		Price gr. C	Price gr. D	
Dalarö	Art Form				Price gr. E
DAR	Vitra	Price gr. A	Price gr. C	Price gr. D	Price gr. E
DAW	Vitra	Price gr. A	Price gr. C	Price gr. D	Price gr. E
DAX	Vitra	Price gr. A	Price gr. C	Price gr. D	Price gr. E
Daydream	Andersen		Price gr. C	Price gr. D	
Dr. No	Kartell		Price gr. C	Price gr. D	Price gr. E
DSR	Vitra	Price gr. A	Price gr. C	Price gr. D	Price gr. E
DSS-N	Vitra	Price gr. A	Price gr. C	Price gr. D	Price gr. E
DSW	Vitra	Price gr. A	Price gr. C	Price gr. D	Price gr. E
Eros	Kartell		Price gr. C	Price gr. D	
Excelsa 9050	Stolab		Price gr. C	Price gr. D	
Face	Kristalia		Price gr. C	Price gr. D	
Fiber Arm Chair	Muuto	Price gr. A	Price gr. C	Price gr. D	
Fiber Side Chair	Muuto		Price gr. C	Price gr. D	
Flow Chair	Mdf Italia		Price gr. C	Price gr. D	
Fly	Danerka		Price gr. C	Price gr. D	
Forest	Fastdesign		Price gr. C	Price gr. D	Price gr. E
Form Chair	Normann Cph		Price gr. C	Price gr. D	
FourMe 44	Four Design		Price gr. C	Price gr. D	
FourSure 44	Four Design		Price gr. C	Price gr. D	
Getama 9871	Getama		Price gr. C	Price gr. D	
Gio	Bon Tempi		Price gr. C	Price gr. D	

Cushions - see prices p. 31

Page 26-30 show which cushions are available for your chair. Is your chair not on the list, we can custom make a cushion for you. A one-of surcharge for the model work will be charged.

Model	Manufacturer	Cushions in stock	Custom-made cushions		
		only for selected models	8 mm thick	17 mm thick	30 mm thick
Gliss	Andersen		Price gr. C	Prisgr. D	
Grand Prix	Fritz Hansen		Price gr. C	Prisgr. D	
Groovy	Holmrís B8		Price gr. C	Prisgr. D	
HAL	Vitra		Price gr. C	Prisgr. D	
Hee Bar Stool	Hay		Price gr. C	Prisgr. D	
Hee Dining Chair	Hay		Price gr. C	Prisgr. D	
Ice	Fritz Hansen		Price gr. C	Prisgr. D	
Imprint	Lammhults		Price gr. C	Prisgr. D	
In Between	&Tradition		Price gr. C	Prisgr. D	
J16	Fredericia	Contact us for quote			
J39	Fredericia				Price gr. E
J46	Fredericia		Price gr. C	Price gr. D	
J49	FDB		Price gr. C	Price gr. D	
J64	Fredericia		Price gr. C	Price gr. D	
J77	Hay		Price gr. C	Price gr. D	
J104	Hay		Price gr. C	Price gr. D	
J110	Hay		Price gr. C	Price gr. D	
J151	Erik Jørgensen				Price gr. E
Jackpot	Danerka		Price gr. C	Price gr. D	
JLM 62	N. O. Møller				Price gr. E
JLM 67	N. O. Møller				Price gr. E
JLM 71	N. O. Møller				Price gr. E
JLM 75	N. O. Møller				Price gr. E
JLM 78	N. O. Møller				Price gr. E
JLM 79	N. O. Møller				Price gr. E
JLM 84	N. O. Møller				Price gr. E
JLM 85	N. O. Møller		Price gr. C	Price gr. D	
JW01	Hay		Price gr. C	Price gr. D	
K818	Erik Magnussen		Price gr. C	Price gr. D	
Kevi 2003	Engelbrechts		Price gr. C	Price gr. D	
Leopard	Naver		Price gr. C	Price gr. D	
Lilla Åland	Stolab		Price gr. C	Price gr. D	
Lilla Åland karmstol	Stolab		Price gr. C	Price gr. D	
Log	Rumas		Price gr. C	Price gr. D	
Loop	Infiniti		Price gr. C	Price gr. D	
Louis Ghost	Kartell		Price gr. C	Price gr. D	
Masters	Kartell	Price gr. A	Price gr. C	Price gr. D	
Maui	Kartell		Price gr. C	Price gr. D	
Minsker	Danerka		Price gr. C	Price gr. D	
Miss Holly	Stolab		Price gr. C	Price gr. D	
Must	Radius		Price gr. C	Price gr. D	

Cushions - see prices p. 31

Page 26-30 show which cushions are available for your chair. Is your chair not on the list, we can custom make a cushion for you. A one-of surcharge for the model work will be charged.

Model	Manufacturer	Cushions in stock	Custom-made cushions		
		only for selected models	8 mm thick	17 mm thick	30 mm thick
Mya	Andersen		Price gr. C	Price gr. D	
Nap	Fritz Hansen		Price gr. C	Price gr. D	
Nemea 2820	Pedrali		Price gr. C	Price gr. D	
Neu Chair	Hay		Price gr. C	Price gr. D	
Noor	RBM / Flokk		Price gr. C	Price gr. D	
Ocean	Skagerak		Price gr. C	Price gr. D	
Ola	Boss design		Price gr. C	Price gr. D	
Olivia	Rexite		Price gr. C	Price gr. D	
Orbit	Danerka		Price gr. C	Price gr. D	
PACC	Vitra	Price gr. A	Price gr. C	Price gr. D	
Panton Chair (dining)	Vitra		Price gr. C	Price gr. D	
Panton One	Montana		Price gr. C	Price gr. D	
Papyrus	Kartell		Price gr. C	Price gr. D	
Pato	Fredericia		Price gr. C	Price gr. D	
Pause	Magnus Olesen		Price gr. C	Price gr. D	
Pia Chair	dk3		Price gr. C	Price gr. D	Price gr. E
Pila	Magis		Price gr. C	Price gr. D	Price gr. E
Pipe	Magis		Price gr. C	Price gr. D	
PK8	Fritz Hansen		Price gr. C	Price gr. D	
PP 56	PP Møbler				Price gr. F
PP 62	PP Møbler				Price gr. F
PP 63	PP Møbler				Price gr. F
PP 66	PP Møbler				Price gr. F
PP 68	PP Møbler				Price gr. E
PP 201	PP Møbler				Price gr. F
PP 205	PP Møbler				Price gr. F
PP 209	PP Møbler				Price gr. F
PP 501	PP Møbler				Price gr. F
PP 503	PP Møbler				Price gr. F
PP 550	PP Møbler				Price gr. F
Puma	Kallemoe		Price gr. C	Price gr. D	
Rail	Radius		Price gr. C	Price gr. D	
Rap	Colico		Price gr. C	Price gr. D	
RAR	Vitra	Price gr. A	Price gr. C	Price gr. D	Price gr. E
Rin	Fritz Hansen		Price gr. C	Price gr. D	
Rondo	Danerka		Price gr. C	Price gr. D	
Sadelöga	Art Form				Price gr. E
Scandia Junior	Fjord Fiesta		Price gr. C	Price gr. D	
Scandia Senior	Fjord Fiesta		Price gr. C	Price gr. D	
Soft Edge 10	Hay		Price gr. C	Price gr. D	

Cushions - see prices p. 31

Page 26-30 show which cushions are available for your chair. Is your chair not on the list, we can custom make a cushion for you. A one-of surcharge for the model work will be charged.

Model	Manufacturer	Cushions in stock	Custom-made cushions		
		only for selected models	8 mm thick	17 mm thick	30 mm thick
Soft Edge 30	Hay		Price gr. C	Price gr. D	
Spira	Lammhults		Price gr. C	Price gr. D	
Steelwood	Magis		Price gr. C	Price gr. D	
Søborg	Fredericia		Price gr. C	Price gr. D	
Tango	Cube		Price gr. C	Price gr. D	
Tempa	Fredericia		Price gr. C	Price gr. D	
Thonet 215 R	Thonet		Price gr. C	Price gr. D	Price gr. E
Thonet S43	Thonet		Price gr. C	Price gr. D	
Tolix A	Tolix		Price gr. C	Price gr. D	
Tolix Stool	Tolix		Price gr. C	Price gr. D	
Tonje	Tonning & Stryn		Price gr. C	Price gr. D	
Trend	Andersen		Price gr. C	Price gr. D	
Trinidad	Fredericia	Price gr. A	Price gr. C	Price gr. D	Price gr. E
Vang	Tonning & Stryn		Price gr. C	Price gr. D	
Vico Duo	Fritz Hansen		Price gr. C	Price gr. D	
Victoria Ghost	Kartell		Price gr. C	Price gr. D	
Visu Chair	Muuto		Price gr. C	Price gr. D	
Visu Lounge Chair	Muuto	Contact us for quote			
Whisper	Fumac		Price gr. C	Price gr. D	
Zentio	Andersen		Price gr. C	Price gr. D	
Ø 26 cm - 45,5 cm	Other		Price gr. C	Price gr. D	

Cushion prices

Design: Bent Hansen Studio

Cushions in stock

3101	price gr. A
3107	price gr. A
3110	price gr. A
AAC22	price gr. A
DAR/DAW/DAX/RAR/PACC	price gr. A
DSR/DSS-N/DSW	price gr. A
Fiber Arm Chair	price gr. A
Masters	price gr. A
Trinidad	price gr. A
CH24	price gr. B

	Price gr. A	Price gr. B
Leather	8 mm thick anti-slip underside	30 mm thick reversible
Basic (black or cognac)	32	59
Zenso 2, 207 (black)		90
Surcharge		
Buttons		87
Button stiches		24

Custom-made cushions

Page 26-30 show which cushions are available for your chair. Is your chair not on the list, we can custom make a cushion for you. A one-of surcharge for the model work will be charged - prices listed below:

	Price gr. C	Price gr. D	Price gr. E	Price gr. F
Fabric	8 mm thick anti-slip underside	17 mm thick anti-slip underside	30 mm thick reversible	30 mm thick reversible
Advantage	65	97	117	129
Blazer	73	104	137	151
Fiord	92	155	167	184
Steelcut	100	153	212	233
Hallingdal	99	152	180	198
Leather				
Basic	79	140	146	162
Zenso 2, 207 (black) or 223 (cognac)	109	164	183	201
Zenso 2 (other colours)	131	185	186	204
Adrian	143	198	204	225
Davos Ranchero*	210	265	305	336

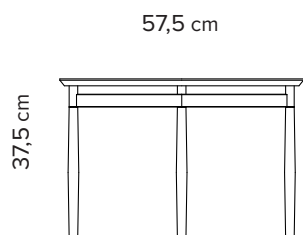
*colour: Dark-Grey, Whisky, Nuss, Kastanie, Kakao, Schwarz

Surcharge				
Buttons			65	65
Button stiches			incl. in price	incl. in price
Model work	175	175	175	175

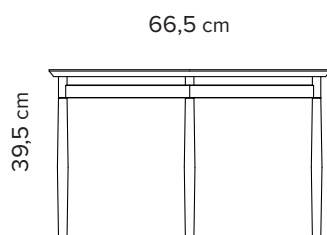
Do you want your cushions in another material than the ones mentioned above? Please, contact us for quote.

Type	Nesting tables, sold in sets of 3 tables
Dimensions	H: 37,5 cm, L: 57,5 cm, W: 42 cm, table top: 1,6 cm H: 39,5 cm, L: 66,5 cm, W: 50 cm, table top: 1,6 cm H: 41,5 cm, L: 74 cm, W: 58 cm, table top: 1,6 cm
Table top	Solid oak, oiled
Table legs	Solid oak, oiled
Frame	Black powder coated steel

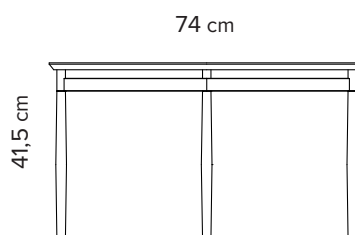
Forma small



Forma medium



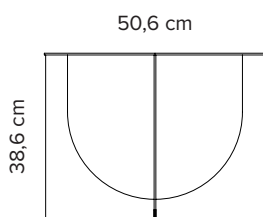
Forma large



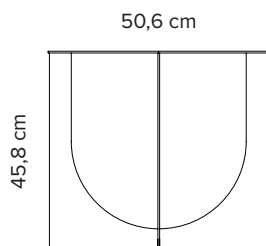
Type	Coffee table
Dimensions Inverse small	H: 38,6 cm, diameter: 50,6 cm
Dimensions Inverse medium	H: 45,8 cm, diameter: 50,6 cm
Table top	Black textured coated steel
Legs	Black textured coated steel

Inverse small V1	440
Inverse medium V1	463

Inverse small V1



Inverse medium V1



Type Coffee table

Variants Diameter: 45 cm, H: 55 cm, table top Linoleum/ Laminate: 0,7 cm / Marble: 2 cm

Diameter: 55 cm, H: 50 cm, table top Linoleum/ Laminate: 0,7 cm

Diameter: 65 cm, H: 35 cm, table top Linoleum/ Laminate: 0,7 cm
 Diameter: 65 cm, H: 45 cm, table top Linoleum/ Laminate: 0,7 cm / Marble: 2 cm

Diameter: 80 cm, H: 35 cm, table top Linoleum/ Laminate: 0,7 cm
 Diameter: 80 cm, H: 45 cm, table top Linoleum/ Laminate: 0,7 cm / Marble: 2 cm

B: 55 cm, L: 108 cm, H: 40 cm, table top Linoleum/ Laminate: 1,6 cm / Marble: 2 cm

Table top Linoleum: 4179 Smokey Blue
 4174 Conifer Green

Laminate: 0720 Nero Ingo
 0752 Grigio Antrim

Marble: Verde Guatemala
 Emperador Dark Brown
 White Carrara

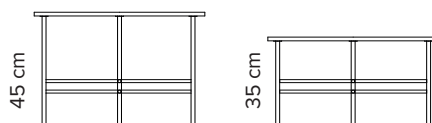
Table legs Dark grey powder-coated steel

	Linoleum/ Laminate	Marble
Diameter: 45 cm, H: 55 cm	443	561
Diameter: 55 cm, H: 50 cm	483	
Diameter: 65 cm, H: 35 cm	526	
Diameter: 65 cm, H: 45 cm	528	662
Diameter: 80 cm, H: 35 cm	613	
Diameter: 80 cm, H: 45 cm	614	793
W: 55 cm, L: 108 cm, H: 40 cm	680	816

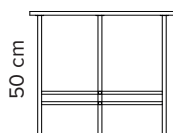
Diameter: 45 cm



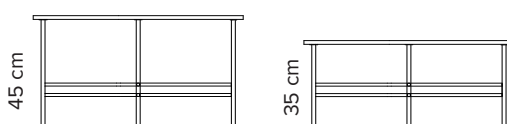
Diameter: 65 cm



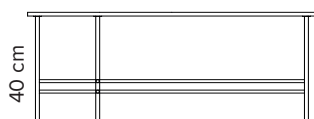
Diameter: 55 cm



Diameter: 80 cm



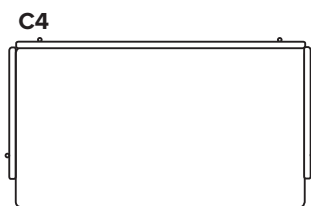
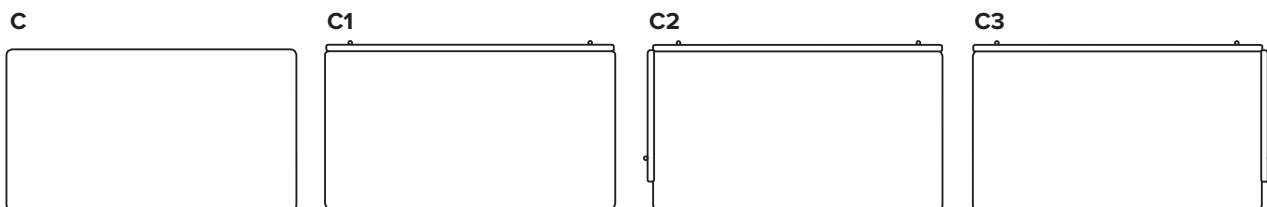
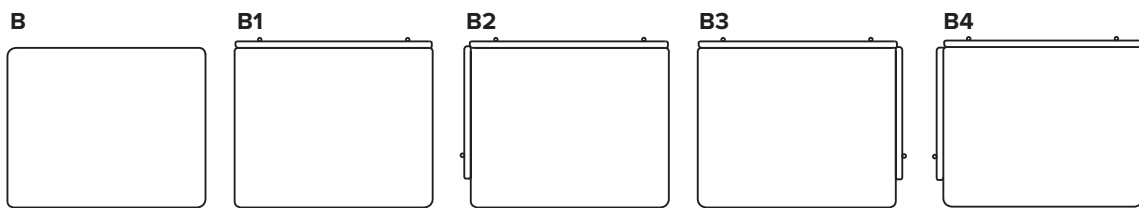
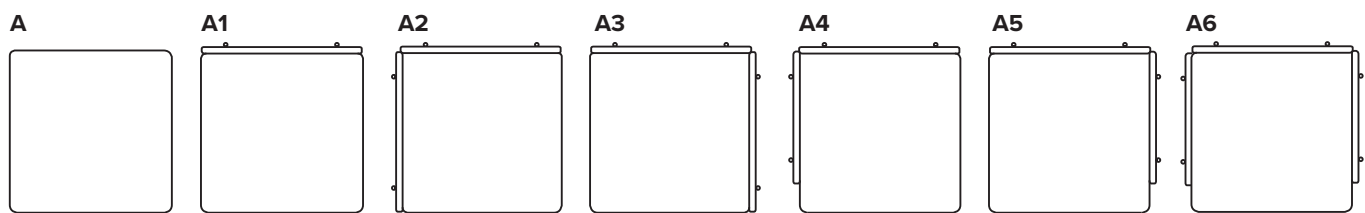
L: 108 cm



Pado - see prices p. 36

Design: Bent Hansen Studio

Type	Modular sofa. Find descriptions of the 17 different modules below.
Cushion	Back cushion H: 58 cm, W: 58 cm. Filling of ball fibres mixed with European duck feathers. A1, A2, A3, A4, A5 and A6 come with 1 back cushion. B1, B2, B3 and B4 come with 2 back cushions. C1, C2, C3 and C4 come with 3 back cushions. Extra back cushions are available for purchase.
Seat	Firm foam seat with down-filled top
Base	Black powder coated steel
Cover	Not all types of fabric or leather are suitable for Pado. Please contact us for special requests.

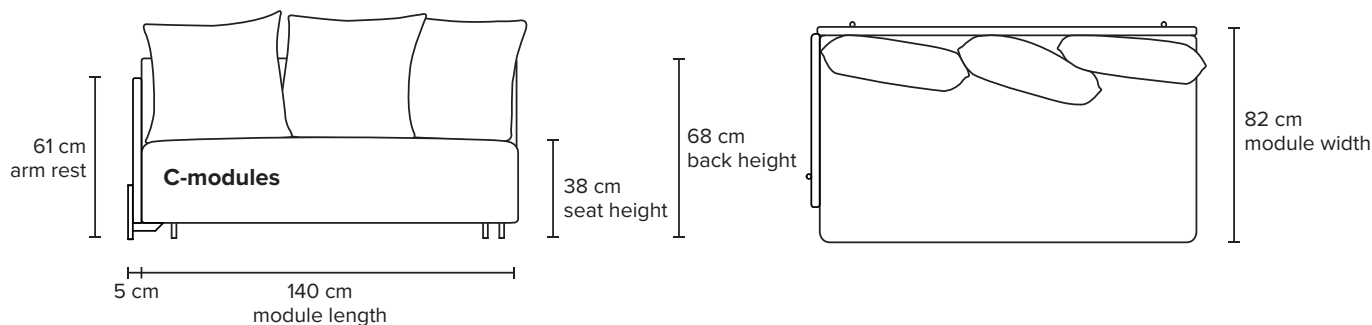
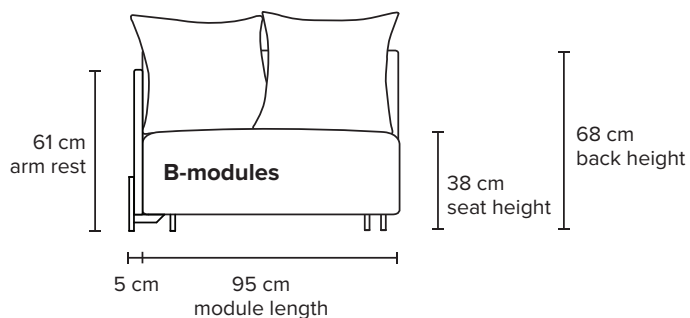
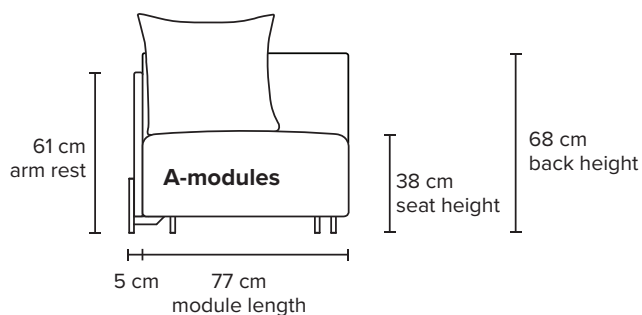


Modul name	Description
A	Module without back rest or arm rest
B	Chaise longue
C	
A1	Module with back rest
B1	Center modules
C1	
A2	Module with back rest at two sides
A3	Corners
A4	Module with back rest and arm rest
A5	End modules
B2	
B3	
C2	
C3	
A6	Module with back and arm rest at both ends.
B4	Lounge chair or 2 seater sofa
C4	

	A	A1	A2 / A3	A4 / A5	A6	B	B1	B2 / B3	B4	C	C1	C2 / C3	C4	extra cushion
Fabric														
Advantage	726	1459	1870	1774	1888	919	1701	2263	2429	1037	2090	2314	2481	99
Blazer	798	1655	2040	1945	2074	985	1875	2070	2199	1139	2322	2548	2737	117
Cassia	858	1797	2202	2111	2250	1042	2320	2263	2416	1238	2543	2793	3003	137
Eros	888	1866	2291	2194	2339	1084	2153	2371	2551	1291	2667	2931	3169	152
Hallingdal	936	2022	2435	2343	2511	1146	2144	2563	2734	1382	2846	3128	3369	193
Leather														
Zenzo 2	1045	1953	2540	2437	2691	1328	2591	2869	3152	1401	3206	3641	4021	192
Adrian	1142	2146	2769	2688	2940	1460	2895	3192	3502	1555	3573	4053	4524	217
Davos Ranchero*	1287	2358	3108	3029	3328	1653	3315	3697	4056	1730	4105	4667	5234	254

*Colour: Dark-Grey, Whisky, Nuss, Kastanie, Kakao, Schwarz

When ordering, please write the name of the modules and enclose a drawing of the assembled sofa.



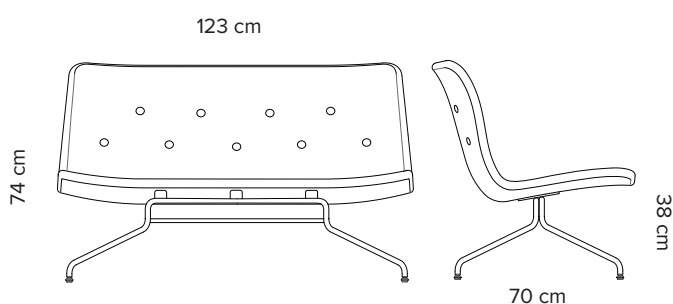
Primum Sofa

Design: Bent Hansen Studio

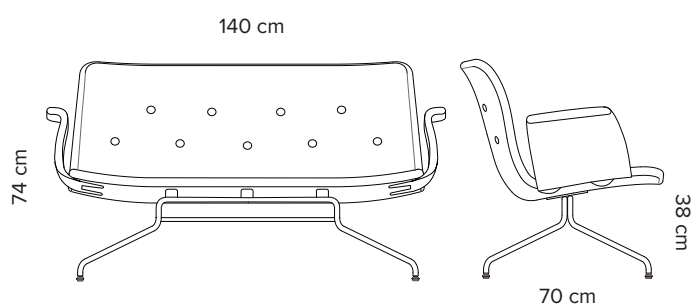
Type	2-seater sofa
Dimensions	H: 74 cm, D: 70 cm, L: 123 cm (without armrest), L: 140 cm (with armrest) Seat height: 38 cm Seat depth: 52 cm
Base	Black powder coated steel or brushed stainless steel.
Glides	Standard without felt. Felt glides available for 9 EUR per set. The customers will have to replace the glides themselves.
Upholstery	High resilience foam
Cover	Not all types of fabric and leather are suitable for Primum Sofa. See complete list of approved materials on page 42 and contact us for price.

	w/o armrest		w/ armrest	
	Black base	Brushed stainless base	Black base	Brushed stainless base
Fabric				
Advantage	2260	2389	2766	2897
Blazer	2382	2511	2890	3018
Fiord	2555	2684	3064	3193
Steelcut	2897	3026	3406	3535
Hallingdal	2660	2789	3169	3297
Capture	2725	2811	3234	3362
Barnum	2500	2629	3009	3137
Leather				
Zenzo 2 colour: 207 (black), 223 (cognac)	2665	2793	3181	3310
Zenzo 2 colour: 211, 231, 286, 293, 295	2665	2793	3181	3310
Adrian	2942	3071	3459	3588
Davos	3173	3302	3690	3819
Surcharge				
Felt glides	9	9	9	9
Buttons in other colours	87	87	87	87

Primum Sofa



Primum Sofa w/ armrest



Button-Up

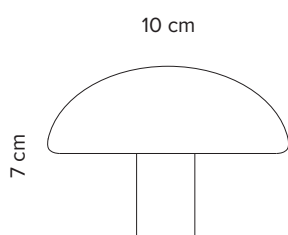
Design: Bent Hansen Studio

Type	Coat hook
Cover	Leather
Spacer	Aluminum
Dimensions	H: 7 cm, diameter 10 cm

Leather / Black	70
Leather / Cognac	70
Leather / Nature	72

Are you interested in Button-Up in another material? Please contact us for quote.

Button-Up



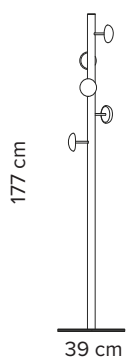
Hang-Up

Design: Bent Hansen Studio

Type	Hat and coat stand
Variants	White or black powder coated steel trunk. Coat hooks in leather: cognac, black or nature
Dimensions	H: 177 cm, diameter 39 cm

White trunk w. 5 coat hooks (cognac, black or nature)	569
Black trunk w. 5 coat hooks (cognac, black or nature)	569

Hang-Up



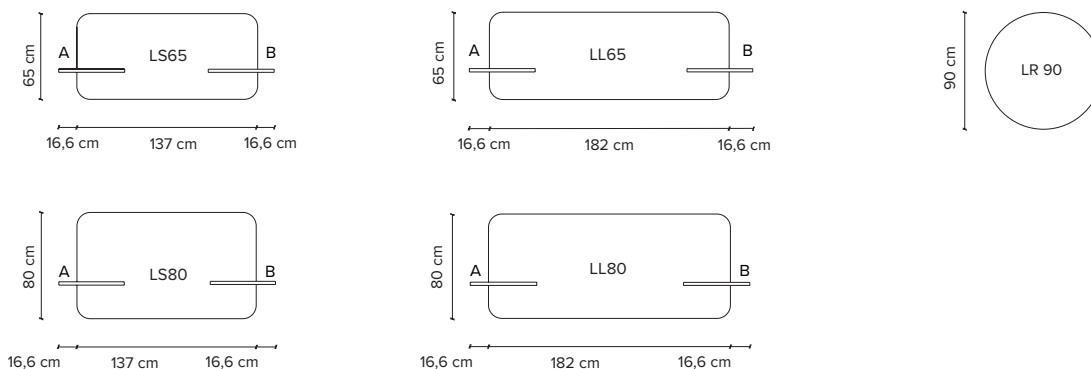
Type Wall-mounted MDF boards upholstered with high resilience foam and textile.
Shelf in oiled, solid oak

Variants 5 different sizes. The boards can overlap as shown below - requires separately sold fittings.

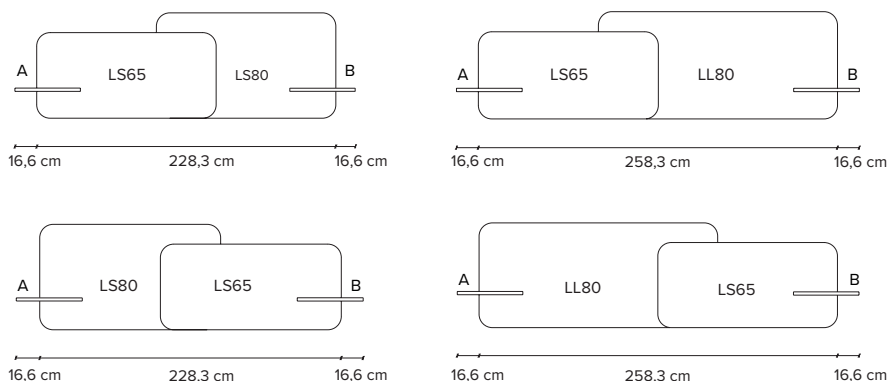
Boards	Dimensions in cm	Blazer fabric
Board LS65	65 x 137	534
Board LS80	80 x 137	559
Board LL65	65 x 182	604
Board LL80	80 x 182	635
Board LR90	Ø 90	538
Surcharge		
Shelf	20 x 50	57
Fittings for overlapping boards		97

Do you want Layer It in a different material? Please, contact us for quote.

Board-variants



Overlapping boards



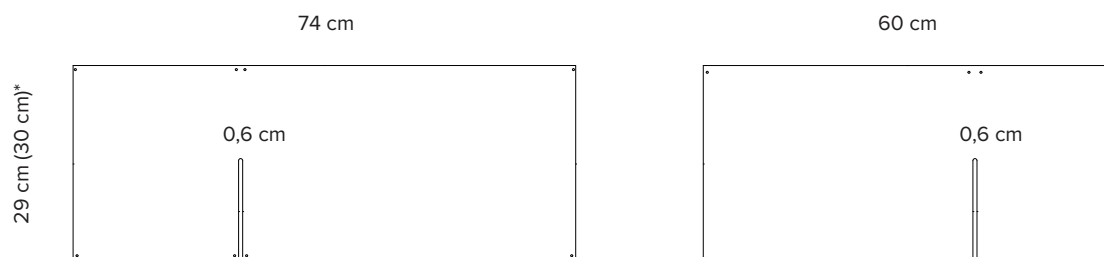
Up The Wall

Design: Bent Hansen Studio

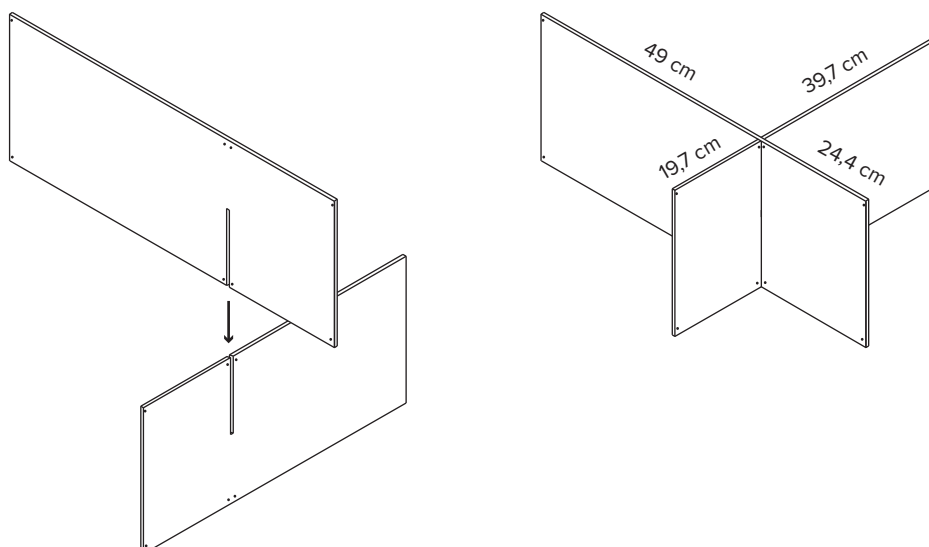
Type	Shelves
Dimensions long shelf	H: 0,6 cm, W: 29 cm, L: 74 cm
Dimensions short shelf	H: 0,6 cm, W: 29 cm, L: 60 cm
Shelf depth	30 cm
Surface	White, black, oak imitated, walnut imitated
Material	Compact laminate

	per set of shelves
White	289
Black	289
Oak	289
Walnut	289

Up The Wall set of shelves



*The shelf plate measures 29 cm. When the shelf is mounted on the wall the fittings increase the width to 30 cm.



Not all types of fabric and leather are suitable for the Primum series. Below you find a complete list of approved materials for Primum Chair, Primum Lounge Chair, Primum Bar Stool and Primum Sofa.

The price depends on quantity. Contact us for quote.

Fabrics		Leather		Faux leather	
Collection	Manufacturer	Collection	Manufacturer	Collection	Manufacturer
Advantage	Camira	Baltique	Elmo Leather	Brisa Distressed	Ultrafabrics
Balder	Kvadrat	Challenger	Nevotex		
Barnum	Nevotex	Davos	Nevotex		
Blazer	Camira	Dunes	Sørensen Leather		
Breeze Fusion	Gabriel	Elmo Soft	Elmo Leather		
Capture	Gabriel	Kenya	CAMO Leathers		
Clara	Kvadrat	Prescott	Nevotex		
Coda	Kvadrat	Royal Nubuck	Sørensen Leather		
Crisp	Gabriel	Scandinavian	CAMO Leathers		
Divina 3	Kvadrat	Soave	Nevotex		
Divina MD	Kvadrat	SPOOR	Scanhide		
Divina Melange	Kvadrat	Yellowstone	Sørensen Leather		
<i>Drop (Primum Bar Stool only)</i>	Kvadrat				
<i>Eros (Primum Chair only)</i>	Nevotex				
Fiord	Kvadrat				
Floyd	Kvadrat				
Hallingdal	Kvadrat				
Hemp	Camira				
Karakorum	Dedar				
Lila	Kvadrat				
Melange Nap	Kvadrat				
Merit	Maharam				
Nowa	Camira				
Poppy	Svenssons				
Re-wool	Kvadrat				
Rime	Kvadrat				
San	Kvadrat				
Steelcut 2	Kvadrat				
Steelcut Trio	Kvadrat				
Synergi	Camira				
Tonica	Kvadrat				
Tonus 4	Kvadrat				
Vidar	Kvadrat				

Bent Hansen 